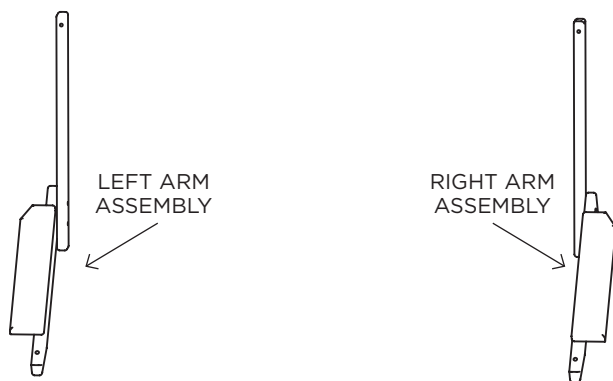




## ORIGINAL CUMARU CUSHIONED DOUBLE SWING INSTRUCTIONS

### ASSEMBLY

**STEP 1.** Open up left and right arm assembly.



### HARDWARE PACK

#### (2) CHAIN SETS

(Not pictured. Eye bolts, lock nuts and washers included on chain set.)

#### (2) TREE HOOKS

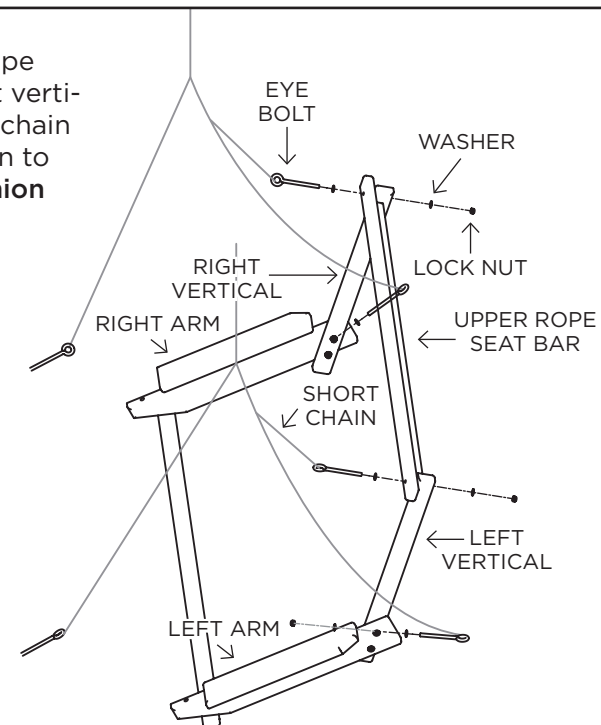
### CHAIR PARTS

- LEFT ARM ASSEMBLY
- RIGHT ARM ASSEMBLY
- ROPE SEAT

### SUGGESTED TOOLS

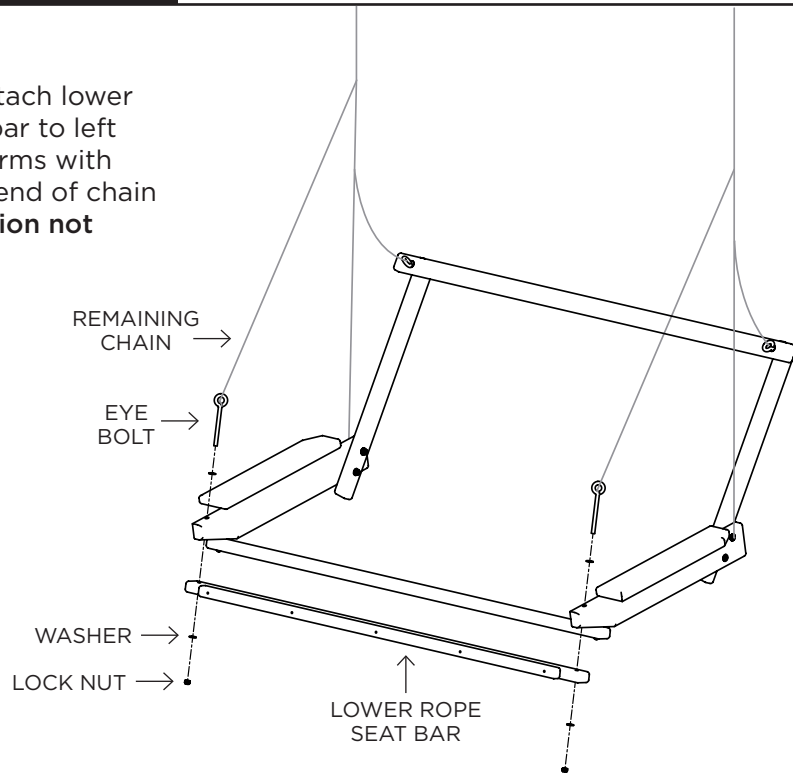
- MALLET
- 7/16" WRENCH
- 1/2" WRENCH

**STEP 2.** Attach upper rope seat bar to left and right verticals with shorter end of chain sets. Attach middle chain to left and right arm. (Cushion not pictured.)



## ASSEMBLY

**STEP 3.** Attach lower rope seat bar to left and right arms with remaining end of chain sets. (Cushion not pictured.)



**Congratulations on purchasing this Original Cumaru Cushioned Double Swing. QUESTIONS REGARDING THIS PRODUCT? Call our customer service team, 1-800-344-6433.**

**INSTALLATION** - Install the ceiling hooks in the overhead support. The hooks should be approximately 54 inches apart. The supports can be ceiling joists, a sturdy limb, or a beam installed for the swing. A ready made stand or instructions to build one are available, please inquire. If the ceiling joists are not exposed, locate one using a stud finder. They are usually 16 to 25 inches apart. Once you find a suitable support, drill a 3/16" starter hole to screw the ceiling hooks into and tighten until the shank is no longer visible. Do not adjust the chains as they are properly connected and able to withstand approximately 500 lbs. of weight. We have replacement chain sets available for sale if needed.

**MAINTENANCE** - Sunwax Penetrating Wood Feeder™ is recommended as an added protection for wood from insects and weather. It is ideal for cumaru, revitalizes the look of older wood and helps maintain wood's original hue. To cushion rope use soap, detergent or a mild bleach solution. Use a soft bristled scrub brush to work on any stains. Be sure to rinse the ropes thoroughly after cleaning.

**WARRANTY & RETURNS** - Nags Head Hammocks products are guaranteed to be free of defects in both workmanship and material. Prolonged exposure to weather conditions including snow, rain, and humidity are not covered under the warranty, nor is damaged caused by normal wear, mildew, or improper care, including storage, maintenance, and assembly. If you are not satisfied with an item, return it unused in its original packaging for a complete refund or exchange. You can return it to any of our stores or to our warehouse, Nags Head hammocks, 305 Industrial Blvd., Greenville, NC 27834. Please include a copy of your receipt and your contact information.