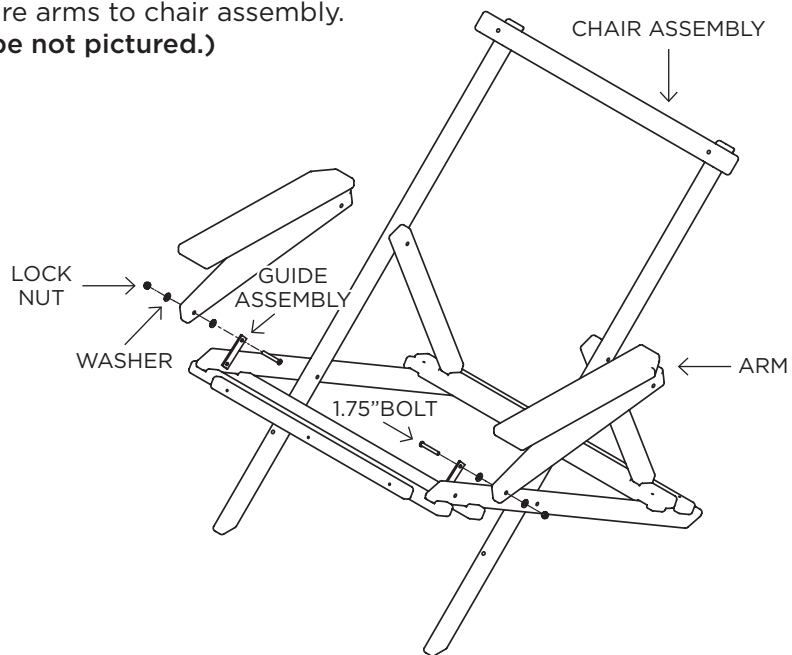




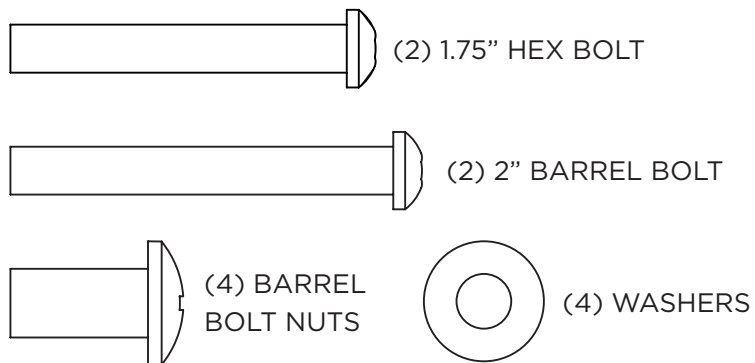
# CUMARU CAPTAIN'S CHAIR INSTRUCTIONS

## ASSEMBLY

**STEP 1.** Use (2) 1.75" hex bolts, (4) washers and (2) lock nuts to secure arms to chair assembly. (Rope not pictured.)



## HARDWARE PACK



(2)  
LOCK  
NUTS

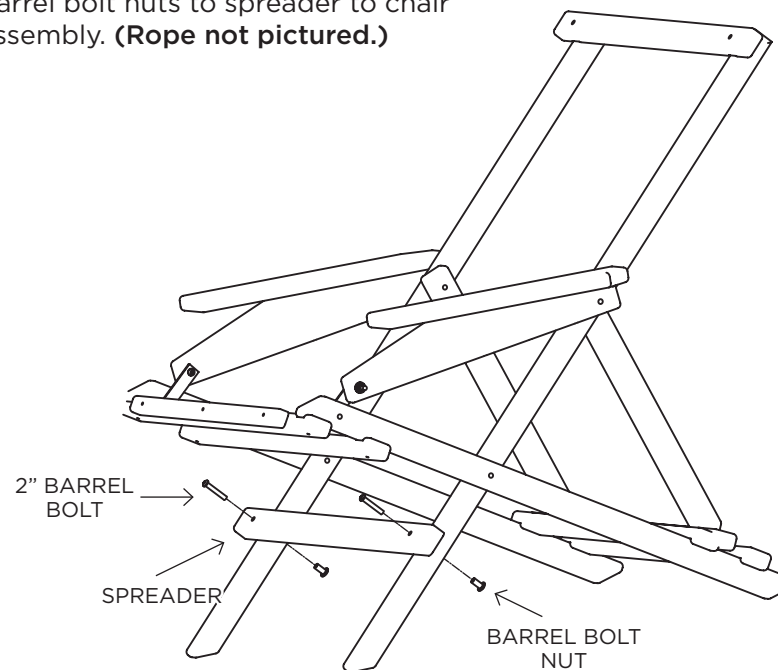
## CHAIR PARTS

- CHAIR ASSEMBLY
- SPREADER

## SUGGESTED TOOLS

- MALLET
- 7/16" WRENCH

**STEP 2.** Use (2) 2" barrel bolts and (2) barrel bolt nuts to spreader to chair assembly. (Rope not pictured.)



**Congratulations on purchasing this Original Cumaru Captain's Chair. QUESTIONS REGARDING THIS PRODUCT? Call our customer service team, 1-800-344-6433.**

**MAINTENANCE** - Sunwax Penetrating Wood Feeder™ is recommended as an added protection for wood from insects and weather. It is ideal for cumaru, revitalizes the look of older wood and helps maintain wood's original hue. To clean rope use soap, detergent or a mild bleach solution. Use a soft bristled scrub brush to work on any stains. Be sure to rinse the ropes thoroughly after cleaning.

**WARRANTY & RETURNS** - Nags Head Hammocks products are guaranteed to be free of defects in both workmanship and material. Prolonged exposure to weather conditions including snow, rain, and humidity are not covered under the warranty, nor is damaged caused by normal wear, mildew, or improper care, including storage, maintenance, and assembly. If you are not satisfied with an item, return it unused in its original packaging for a complete refund or exchange. You can return it to any of our stores or to our warehouse, Nags Head hammocks, 305 Industrial Blvd., Greenville, NC 27834. Please include a copy of your receipt and your contact information.