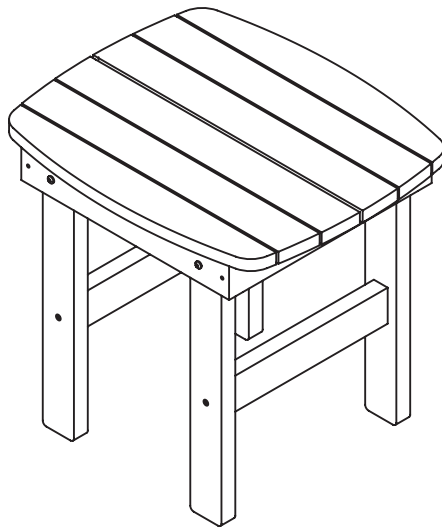


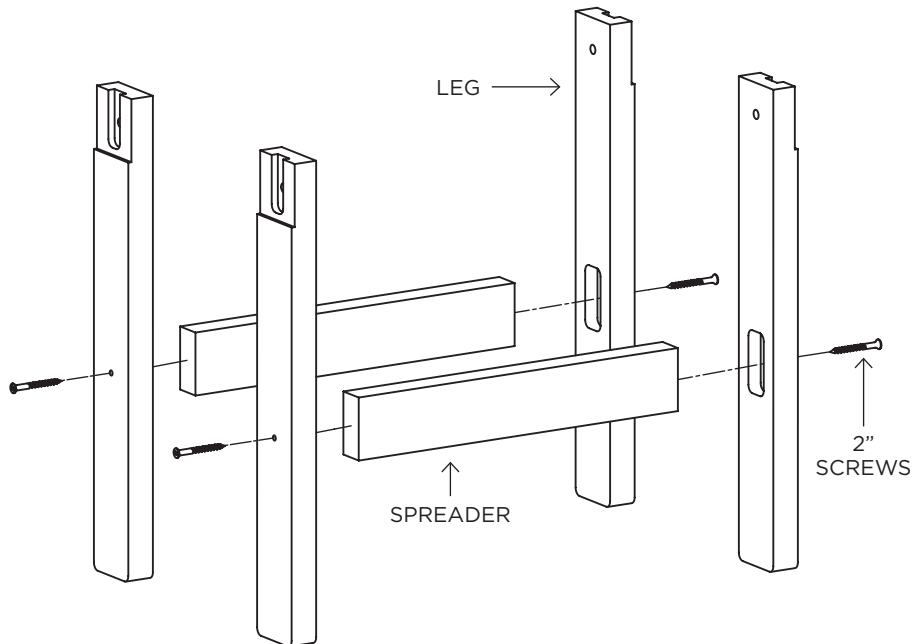


SIDE TABLE INSTRUCTIONS



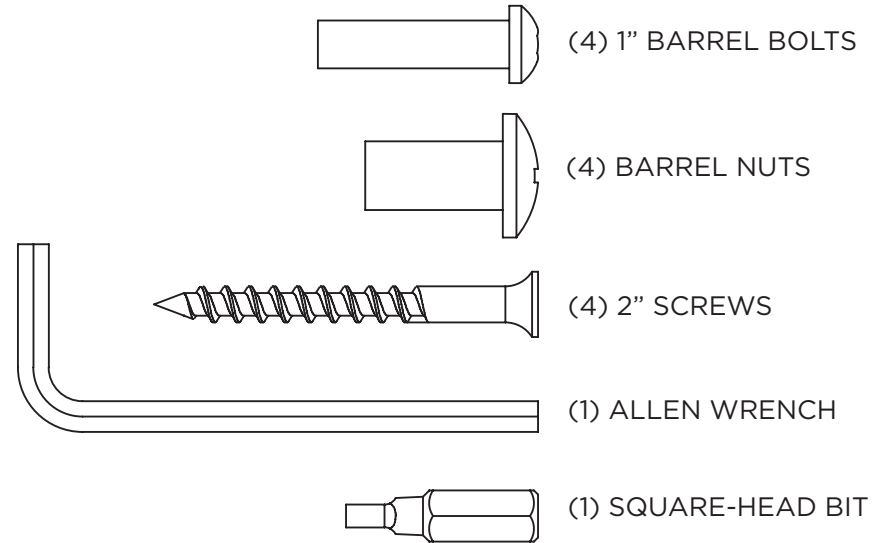
ASSEMBLY

STEP 1. Use (4) 2" screws to attach legs to spreaders.



HARDWARE PACK

Hardware Pack Weight: 3.2 oz.



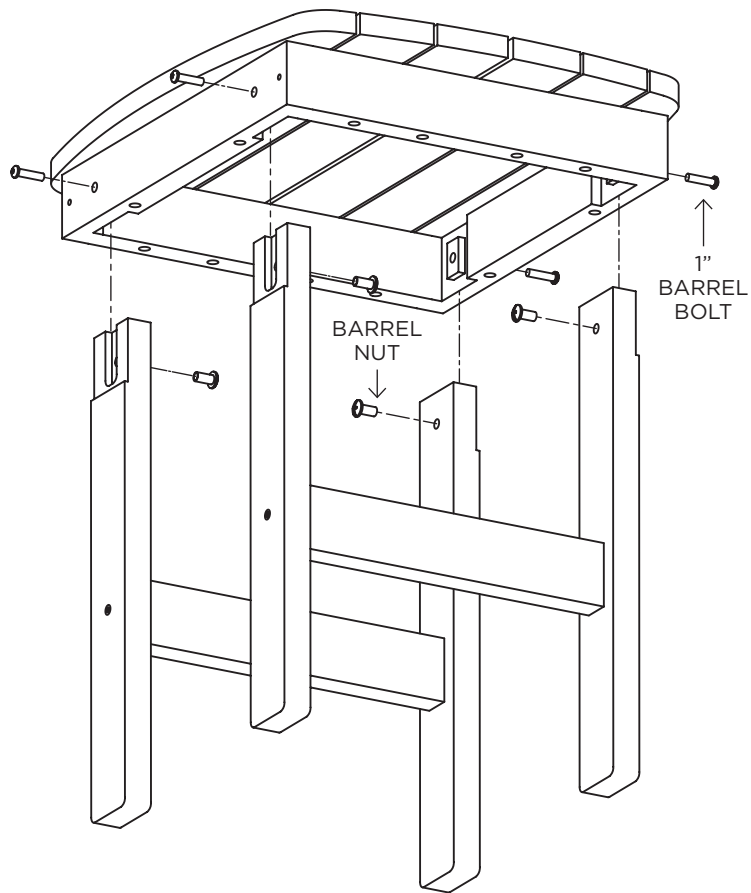
CHAIR PARTS

- TABLE TOP
- (4) LEGS
- (2) SPREADERS

SUGGESTED TOOLS

- RUBBER MALLET
- PHILLIPS HEAD SCREWDRIVER
- DRILL

STEP 2. Use (4) 1" barrel bolts and (4) barrel nuts to attach to table top to legs. Tighten all bolts.



Congratulations on purchasing this Durawood Side Table. QUESTIONS REGARDING THIS PRODUCT? Call our customer service team, 800.643.3522.

RESIDENTIAL WARRANTY - This quality product includes a FULL LIFETIME WARRANTY for RESIDENTIAL CUSTOMERS. In the unlikely event any splintering, rotting, cracking, peeling, chipping, insect infestation or other damage should ever occur, The Hammock Source will replace this furniture, at no charge to you. Note that an original sales receipt must accompany any returned product, along with a Return Authorization Number from Hammock Source customer service; call toll-free at 800.643.3522.

CONTRACTOR WARRANTY - CONTRACTORS receive a FULL 7-YEAR WARRANTY. Follow the same steps outlined above.