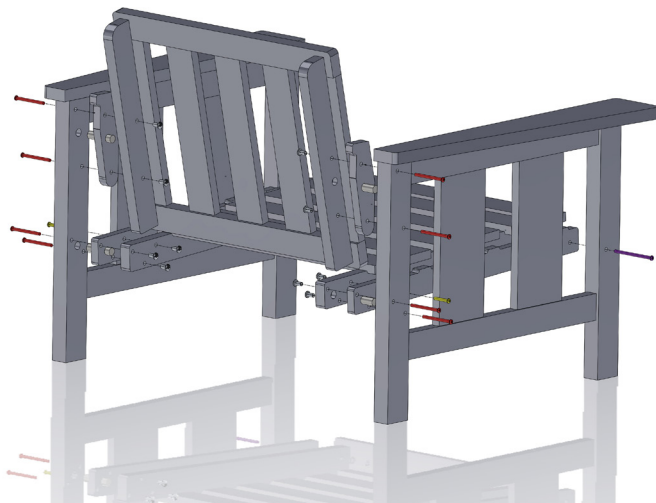


DEEP SEATING CLUB CHAIR INSTRUCTIONS



ASSEMBLY

STEP 1. Using (4) 3" Bolts (shown as red), (1) 1.5" Bolt (shown as yellow), (1) 4" Bolt (shown as purple), (2) 2.5" Plugs, (5) Barrel Nuts (attaches to red and yellow), (1) Washer and (1) Locknut (use with purple), attach the Right Arm to the Seat Back with the Arm Spacer and the Chair Seat with the Seat Angle. Repeat for Left Arm. Assembly works best when Plugs are used first.



COMPONENTS

DSARM Box

Contains:

- Left Arm
- Right Arm
- 2 Arm Spacers
- 2 Seat Angles
- Hardware Pack

DSMOD Box

Contains:

- Chair Back
- Chair Seat

HARDWARE PACK

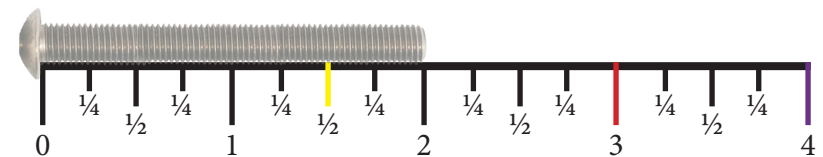
DSARM Hardware Pack

- (2) 4" Bolts
- (8) 3" Bolts
- (2) 1.5" Bolts
- (10) Barrel Nuts
- (2) Locknuts
- (2) Washers
- (4) 2.5" Plugs
- (1) Allen Wrench

SUGGESTED TOOLS

- 7/16 Wrench
- Phillips Head Screw Driver

Use ruler to find correct bolt size.



Congratulations on purchasing this Pawley's Island Deep Seating Furniture. QUESTIONS REGARDING THIS PRODUCT? Call our customer service team, 800.643.3522.

RESIDENTIAL WARRANTY - This quality product includes a **FULL LIFETIME WARRANTY** for RESIDENTIAL CUSTOMERS. In the unlikely event any splintering, rotting, cracking, peeling, chipping, insect infestation or other damage should ever occur, The Hammock Source will replace this furniture, at no charge to you. Note that an original sales receipt must accompany any returned product, along with a Return Authorization Number from Hammock Source customer service; call toll-free at 800.643.3522.

CONTRACTOR WARRANTY - CONTRACTORS receive a **FULL 7-YEAR WARRANTY**. Follow the same steps outlined above.