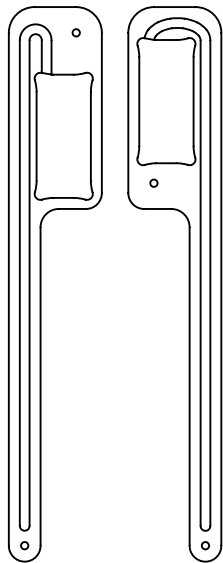


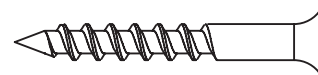


LIGHT KIT INSTRUCTIONS



HARDWARE PACK

Hardware Pack Weight: 1.08 oz.



(4) 1 5/8" SCREWS



(1) SQUARE HEAD BIT

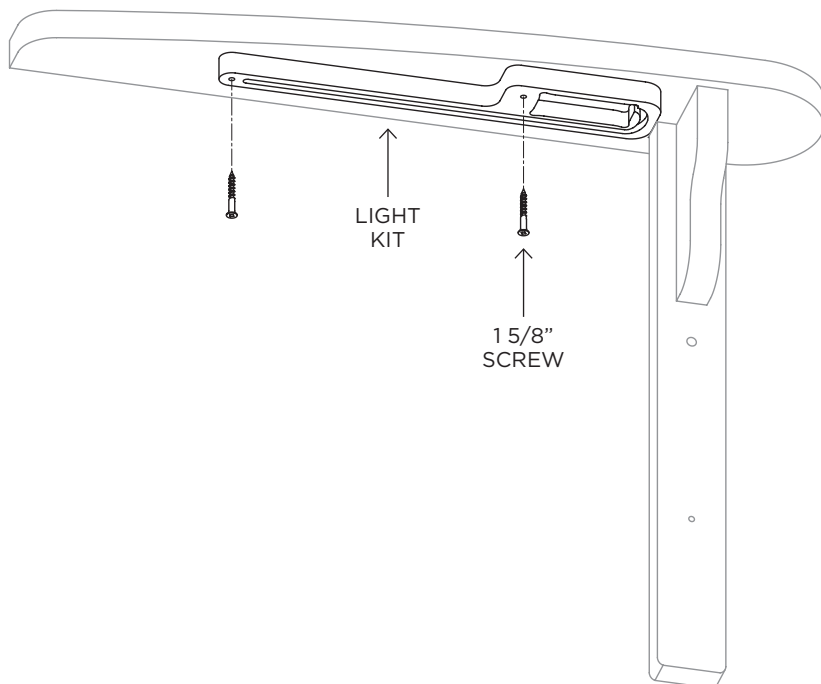
SUGGESTED TOOLS

- DRILL
- PHILLIPS HEAD SCREWDRIVER

4 "AA" batteries required. (Not included)

ASSEMBLY

STEP 1. Use (2) 1 5/8" screws to attach light kit to chair arm.



Congratulations on purchasing this Durawood Light Kit. QUESTIONS REGARDING THIS PRODUCT? Call our customer service team, 800.643.3522.

RESIDENTIAL WARRANTY - This quality product includes a FULL LIFETIME WARRANTY for RESIDENTIAL CUSTOMERS. In the unlikely event any splintering, rotting, cracking, peeling, chipping, insect infestation or other damage should ever occur, The Hammock Source will replace this furniture, at no charge to you. Note that an original sales receipt must accompany any returned product, along with a Return Authorization Number from Hammock Source customer service; call toll-free at 800.643.3522.

CONTRACTOR WARRANTY - CONTRACTORS receive a FULL 7-YEAR WARRANTY. Follow the same steps outlined above.