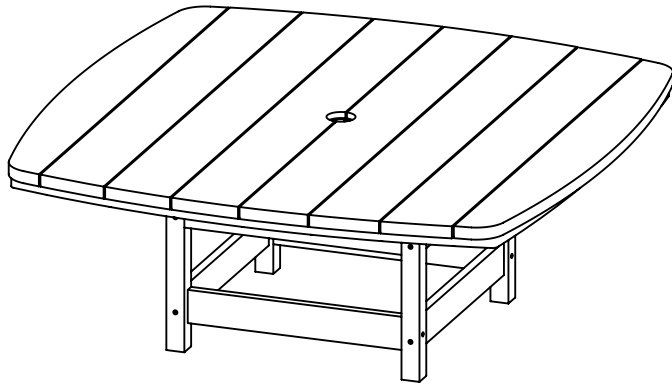


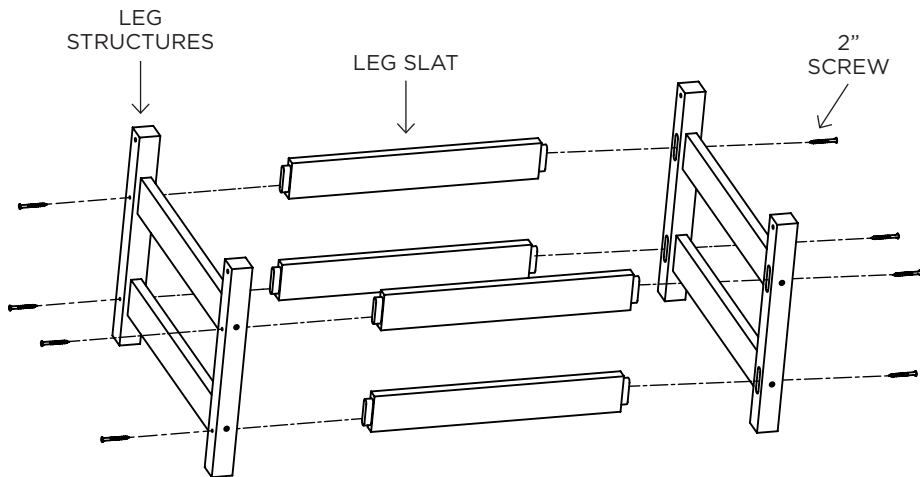


# CONVERSATION TABLE INSTRUCTIONS



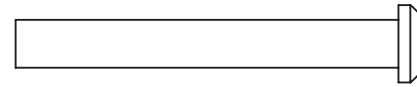
## ASSEMBLY

**STEP 1.** Use (8) 2" screws to attach leg slats to leg structures.

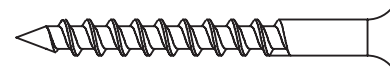


## HARDWARE PACK

Hardware Pack Weight: 4.3 oz.



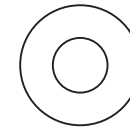
(4) 2" BOLTS



(8) 2" SCREWS



(4) LOCK NUTS



(4) WASHERS



(1) ALLEN WRENCH



(1) SQUARE-HEAD BIT

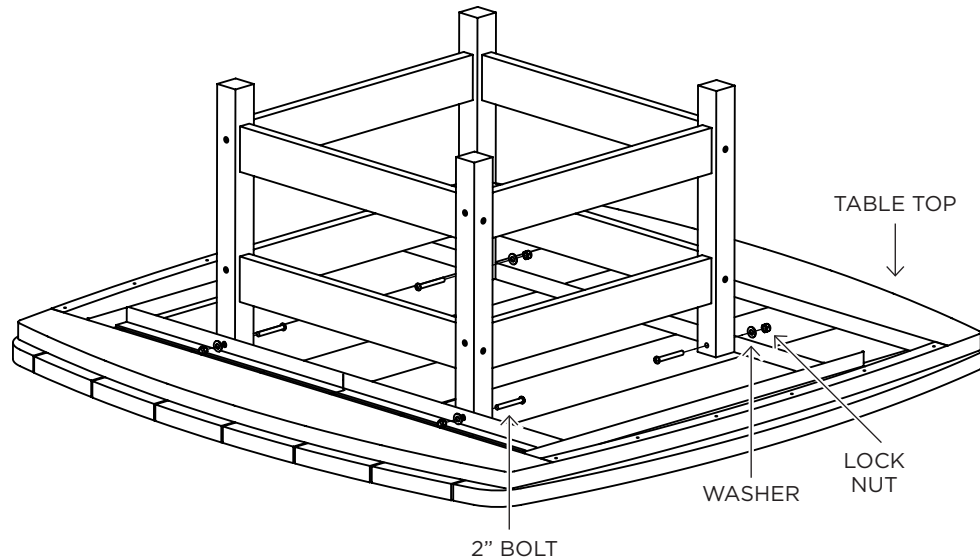
## TABLE PARTS

- (2) LEG STRUCTURES
- (4) LEG SLATS
- (1) TABLE TOP

## SUGGESTED TOOLS

- RUBBER MALLET
- DRILL

**STEP 2.** Use (4) 2" bolts, (4) washers and (4) lock nuts to attach leg structure to table top.



**Congratulations on purchasing this Durawood Conversation Table. QUESTIONS REGARDING THIS PRODUCT? Call our customer service team, 800.643.3522.**

**RESIDENTIAL WARRANTY** - This quality product includes a FULL LIFETIME WARRANTY for RESIDENTIAL CUSTOMERS. In the unlikely event any splintering, rotting, cracking, peeling, chipping, insect infestation or other damage should ever occur, The Hammock Source will replace this furniture, at no charge to you. Note that an original sales receipt must accompany any returned product, along with a Return Authorization Number from Hammock Source customer service; call toll-free at 800.643.3522.

**CONTRACTOR WARRANTY** - CONTRACTORS receive a FULL 7-YEAR WARRANTY. Follow the same steps outlined above.