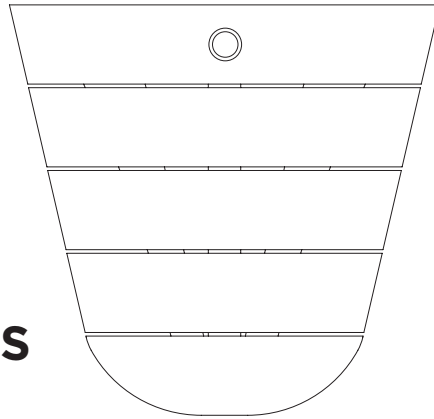
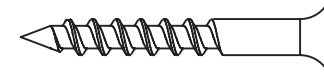


# TETE-A-TETE INSTRUCTIONS

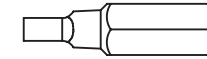


## HARDWARE PACK

Hardware Pack Weight: 0.87 oz.



(2) 1 5/8" SCREWS



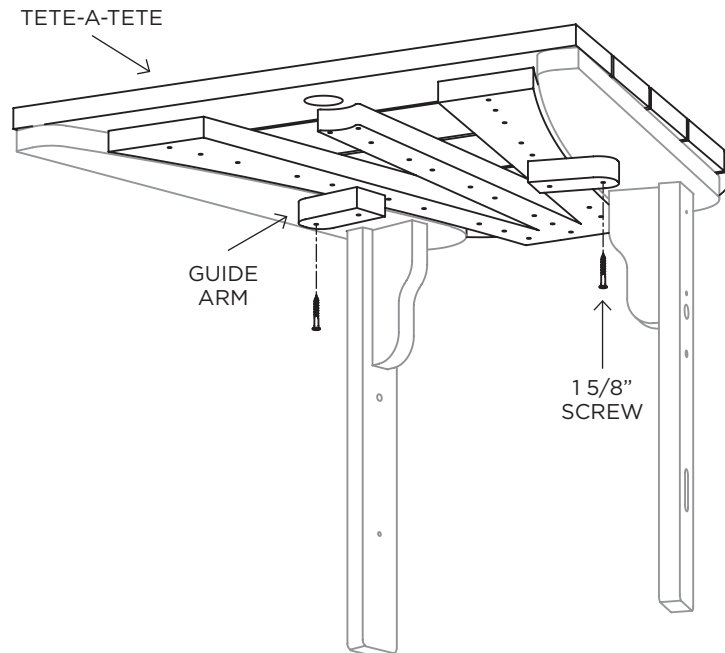
(1) SQUARE HEAD BIT

## SUGGESTED TOOLS

- DRILL

## ASSEMBLY

**STEP 1.** Rotate guide arms on underside of tete-a-tete to the outward position. Use (2) 1 5/8" screws if you wish to secure your tete-a-tete to the arms of your chairs.



**Congratulations on purchasing this Durawood Tete-A-Tete. QUESTIONS REGARDING THIS PRODUCT? Call our customer service team, 252-758-0641.**

**RESIDENTIAL WARRANTY** - This quality product includes a FULL LIFETIME WARRANTY for RESIDENTIAL CUSTOMERS. In the unlikely event any splintering, rotting, cracking, peeling, chipping, insect infestation or other damage should ever occur, The Hammock Source will replace this furniture, at no charge to you. Note that an original sales receipt must accompany any returned product, along with a Return Authorization Number from Hammock Source customer service; call toll-free at 252-758-0641.

**CONTRACTOR WARRANTY** - CONTRACTORS receive a FULL 7-YEAR WARRANTY. Follow the same steps outlined above.