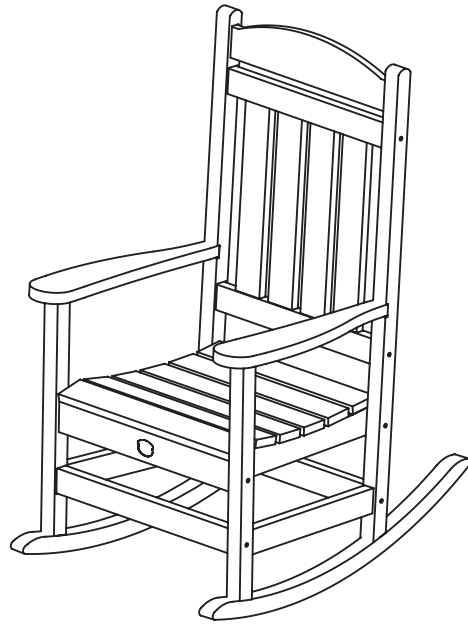


PORCH ROCKER INSTRUCTIONS

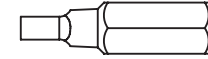


HARDWARE PACK

Hardware Pack Weight: 4.37 oz.



(16) 3" SCREWS



(1) SQUARE-HEAD BIT

CHAIR PARTS

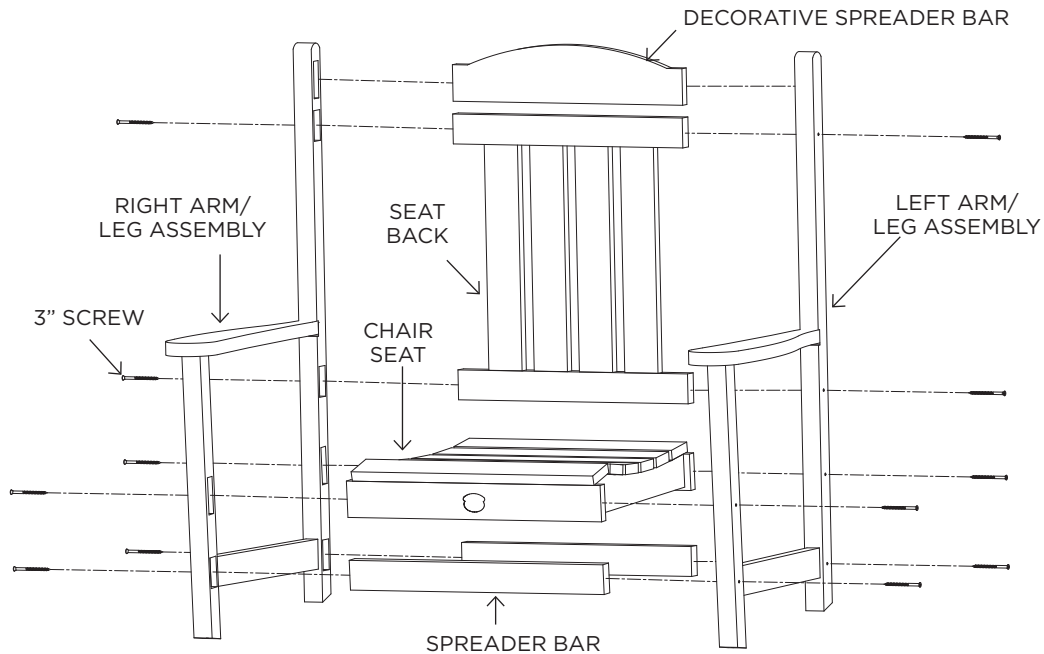
- DECORATIVE TOP SPREADER
- SEAT BACK
- RIGHT ARM/LEG ASSEMBLY
- LEFT ARM/LEG ASSEMBLY
- (2) SPREADER BARS
- (2) RUNNERS
- CHAIR SEAT

SUGGESTED TOOLS

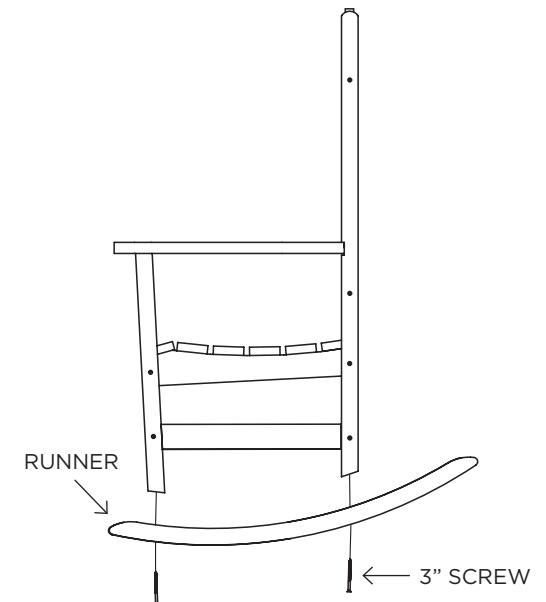
- RUBBER MALLET
- DRILL

ASSEMBLY

STEP 1. Use (12) 3" to attach decorative top spreader, seat back, right arm/leg assembly, left arm/leg assembly and (2) spreader bars.



STEP 2. Use (4) 3" to attach (2) runners to right and left arm/leg assembly.



Congratulations on purchasing this Durawood Porch Rocker. QUESTIONS REGARDING THIS PRODUCT? Call our customer service team, 252-758-0641.

RESIDENTIAL WARRANTY - This quality product includes a FULL LIFETIME WARRANTY for RESIDENTIAL CUSTOMERS. In the unlikely event any splintering, rotting, cracking, peeling, chipping, insect infestation or other damage should ever occur, The Hammock Source will replace this furniture, at no charge to you. Note that an original sales receipt must accompany any returned product, along with a Return Authorization Number from Hammock Source customer service; call toll-free at 252-758-0641.

CONTRACTOR WARRANTY - CONTRACTORS receive a FULL 7-YEAR WARRANTY. Follow the same steps outlined above.

#6059 / 0317