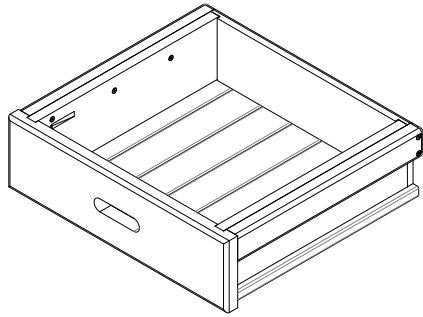
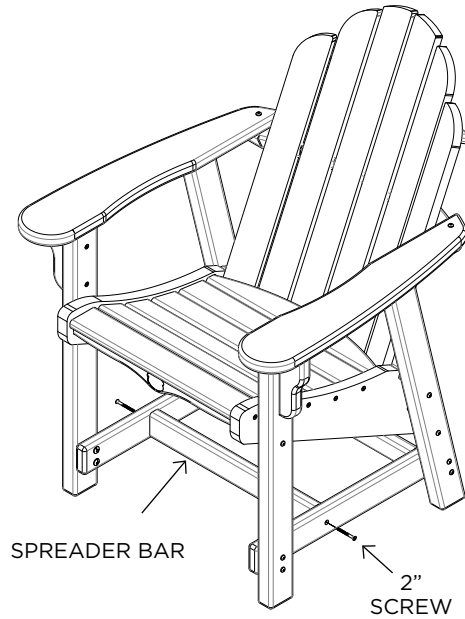


STOWAWAY TABLE INSTRUCTIONS



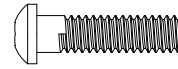
ASSEMBLY

STEP 1. Unscrew 2" screws from spreader bar.

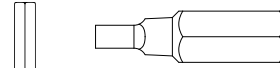


HARDWARE PACK

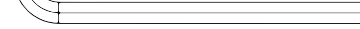
Hardware Pack Weight: 0.8 oz.



(2) 1" BOLTS



(1) SQUARE HEAD BIT



(1) ALLEN WRENCH

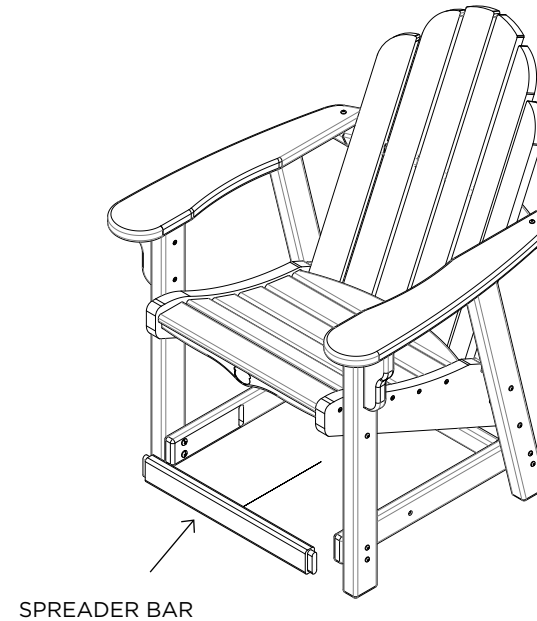
CHAIR PARTS

- CONVERSATION CHAIR
- STOWAWAY TABLE

SUGGESTED TOOLS

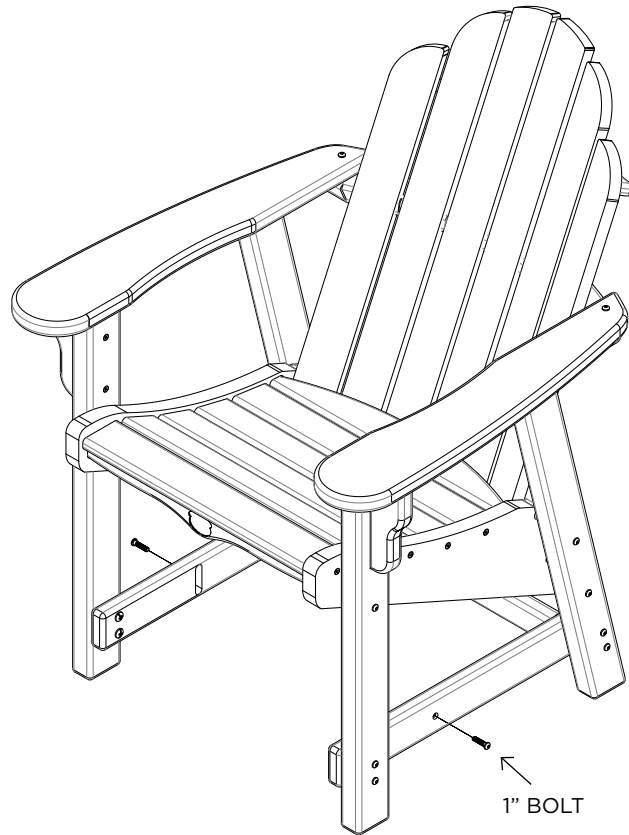
- PHILLIPS HEAD SCREWDRIVER

STEP 2. Spread frame and remove the spreader bar.



STEP 3. (This is optional for aesthetic purposes only)

Thread the (2) 1" bolts into the holes the 2" screws were removed from to fill the empty hole.



STEP 4. Slide Stowaway Table onto the rails and enjoy!



Congratulations on purchasing this Stowaway Table. QUESTIONS REGARDING THIS PRODUCT? Call our customer service team, 252-758-0641.

RESIDENTIAL WARRANTY - This quality product includes a LIMITED LIFETIME WARRANTY for RESIDENTIAL CUSTOMERS. In the unlikely event any splintering, rotting, cracking, peeling, or chipping should ever occur, The Hammock Source will supply replacement parts or replace the furniture, at no charge to you. This does not include negligence, improper use, animal damage or damage caused by natural disasters. When using around fire, keep furniture at a minimum distance of 30 inches from the heat source. Prevent prolonged exposure to chlorinated water. Note that an original sales receipt must accompany any returned product, along with a Return Authorization Number from Hammock Source customer service; call toll-free at 252-758-0641.

CONTRACTOR WARRANTY - CONTRACTORS receive a LIMITED 7-YEAR WARRANTY. Follow the same steps outlined above.

MAINTENANCE - Thoroughly inspect product before each use. Periodically check bolts after assembly and re-tighten when necessary.

