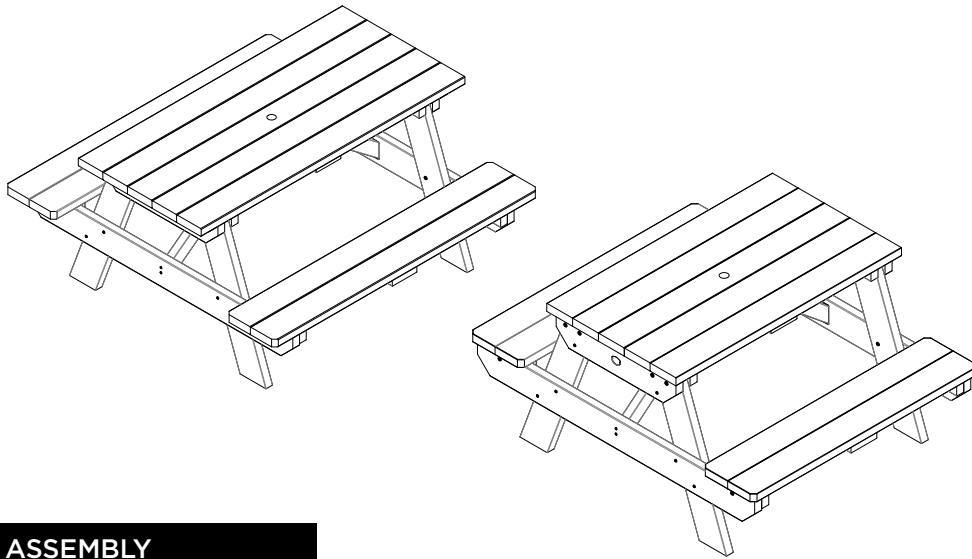
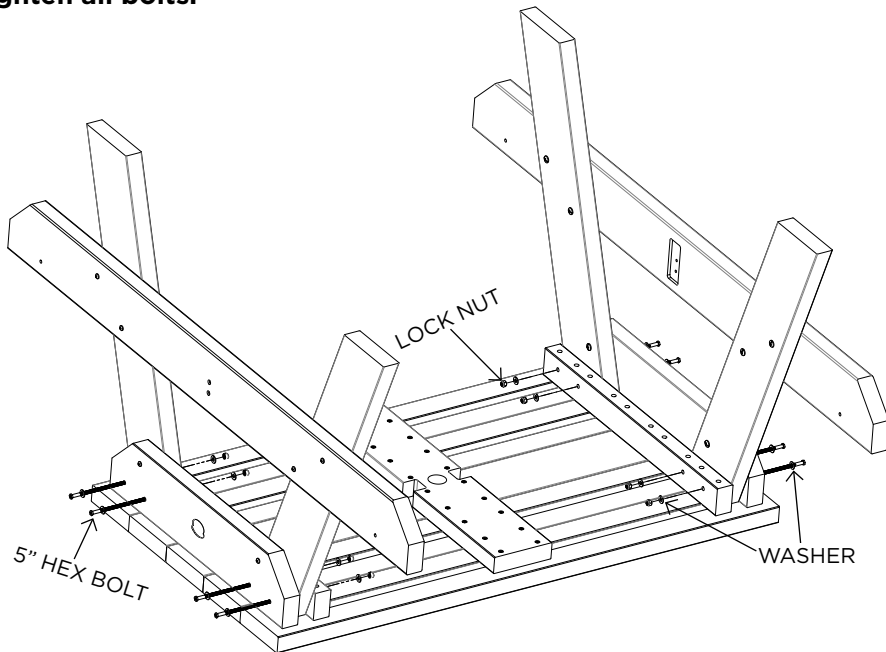


48" & 60" PICNIC TABLE INSTRUCTIONS

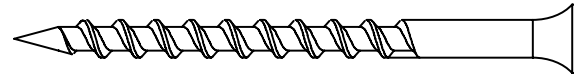


ASSEMBLY

STEP 1. Flip Table Top over. Align the Leg Assembly with the support braces on the table top. Using (4) 5" Hex Bolts insert the bolt through a washer, through the material as shown then secure using (1) washer and (1) lock nut on each bolt. **Repeat for the second Leg Assembly. Tighten all bolts.**



HARDWARE PACK



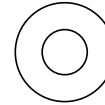
(6) 3" SCREWS



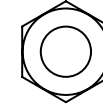
(8) 5" Hex Bolts



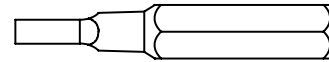
(4) 3.5" Hex Bolts



(24) WASHERS



(12) LOCK NUTS



(1) EXTENDED SQUARE-HEAD BIT

TABLE PARTS

- (1) TABLE TOP
- (2) OUTER LEG ASSEMBLIES
- (2) SEAT ASSEMBLIES
- (2) ANGLED BRACES

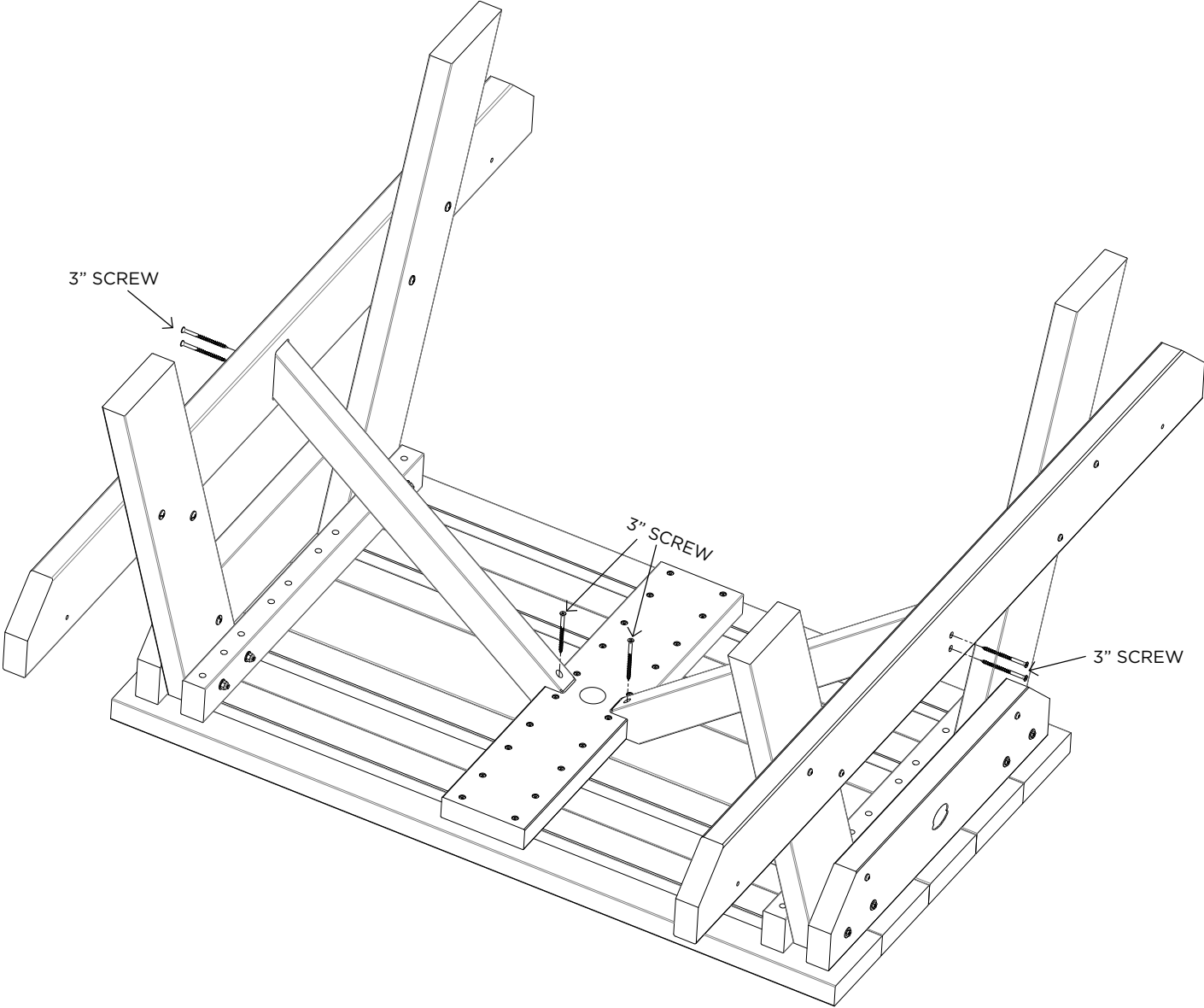
SUGGESTED TOOLS

- ADJUSTABLE WRENCH
- DRILL

ASSEMBLY

STEP 2. Using (1) Angled Brace at a time, slip the brace into the locating pockets as shown. Use (1) 3" Screw in the pilot hole to fasten the brace to the Center Leg Assembly, then use (2) 3" Screws to fasten the brace to the Outer Leg Assembly. Repeat for the second brace.

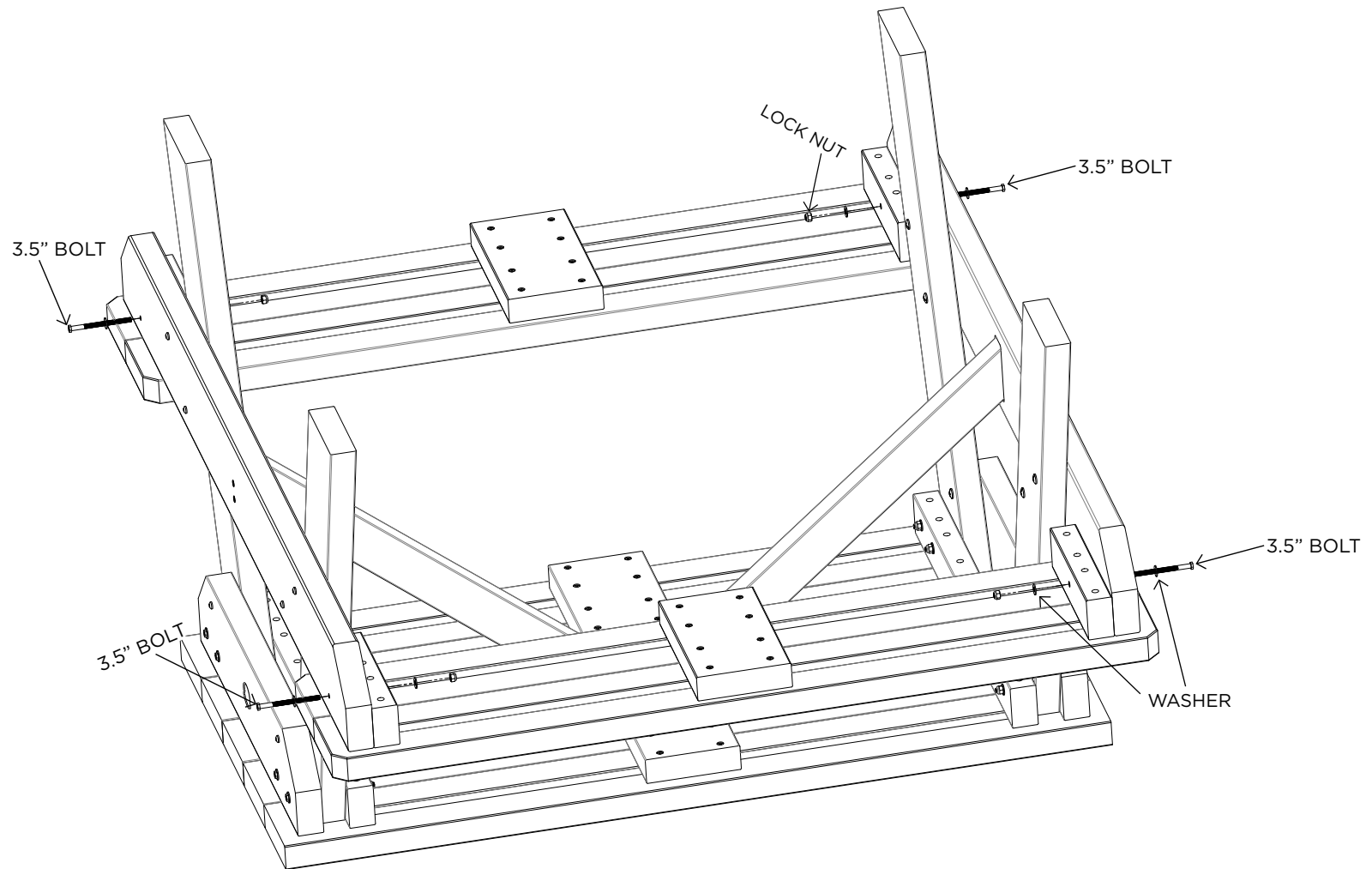
Ensure all screws and bolts are fastened tightly.



ASSEMBLY

STEP 3. Flip the table upright, it is recommended you have 2-3 people for this. Once the table is flipped take a Seat Assembly and position it as shown. Align the bolt holes then using (4) 3.5" Hex Bolts, (8) Washers, and (4) Lock Nuts fasten the seats as shown using the same order of Bolt/Washer/Lumber/Washer/Bolt.

Tighten all bolts.



Congratulations on purchasing this Durawood 48" or 60" Picnic Table. QUESTIONS REGARDING THIS PRODUCT? Call our customer service team, 252-758-0641.

RESIDENTIAL WARRANTY - This quality product includes a LIMITED LIFETIME WARRANTY for RESIDENTIAL CUSTOMERS. In the unlikely event any splintering, rotting, cracking, peeling, or chipping should ever occur, The Hammock Source will supply replacement parts or replace the furniture, at no charge to you. This does not include negligence, improper use, animal damage or damage caused by natural disasters. When using around fire, keep furniture at a minimum distance of 30 inches from the heat source. Prevent prolonged exposure to chlorinated water. Note that an original sales receipt must accompany any returned product, along with a Return Authorization Number from Hammock Source customer service; call toll-free at 252-758-0641.

CONTRACTOR WARRANTY - CONTRACTORS receive a LIMITED 7-YEAR WARRANTY. Follow the same steps outlined above.

MAINTENANCE - Thoroughly inspect product before each use. Periodically check bolts after assembly and re-tighten when necessary.

