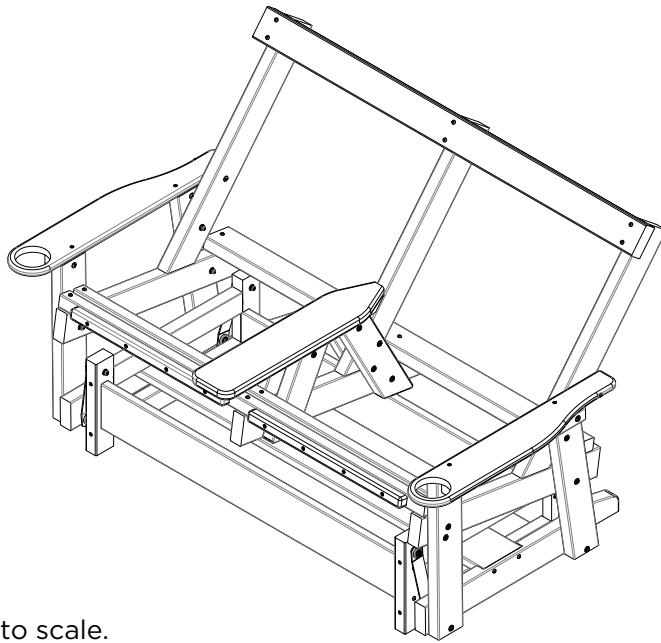




DOUBLE ROPE GLIDER INSTRUCTIONS

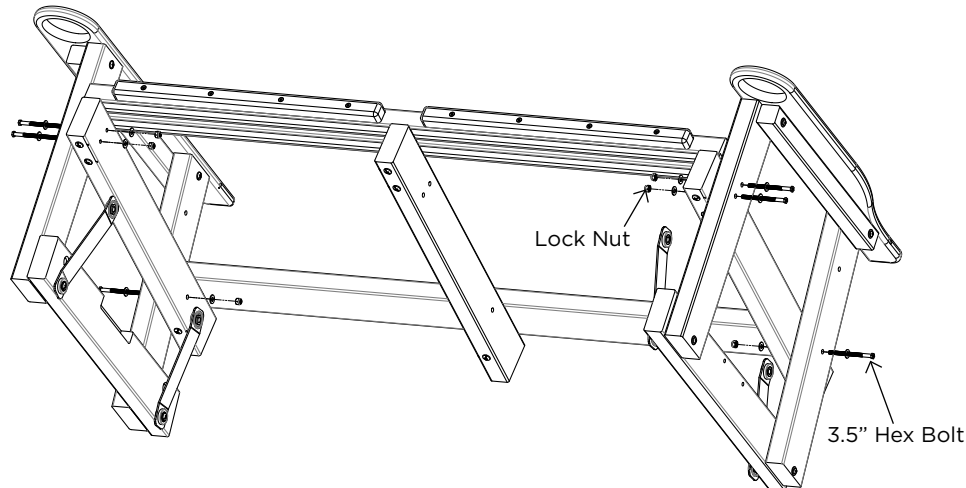


NOTE. Instructions not to scale.

ASSEMBLY

STEP 1. Align left arm assembly with frame. Insert 3.5" Hex Bolt through washer, arm and swing body. Secure using washer and lock nut, repeat this process for all 3 holes both left and right side.

NOTE. Do **not** tighten bolts until Step 4.



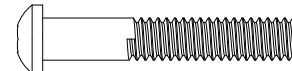
HARDWARE PACK 1



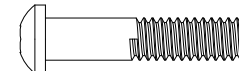
(6) 4.5" Barrel Bolts



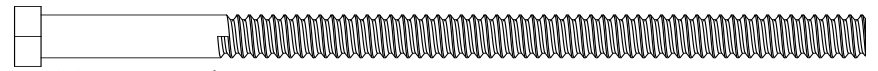
(2) 4" Barrel Bolts



(8) 2" Barrel Bolts



(4) 1" Barrel Bolts



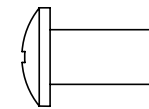
(7) 5" Hex Bolts



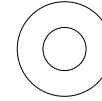
(8) 3.5" Hex Bolts



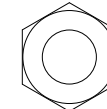
(1) Allen Wrench



(8) 1" Barrel Nuts



(30) Washers

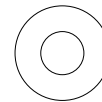


(15) Lock Nuts

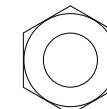
HARDWARE PACK 2



(4) 5/16" Diameter 2.5" Hex Bolts



(16) Washers



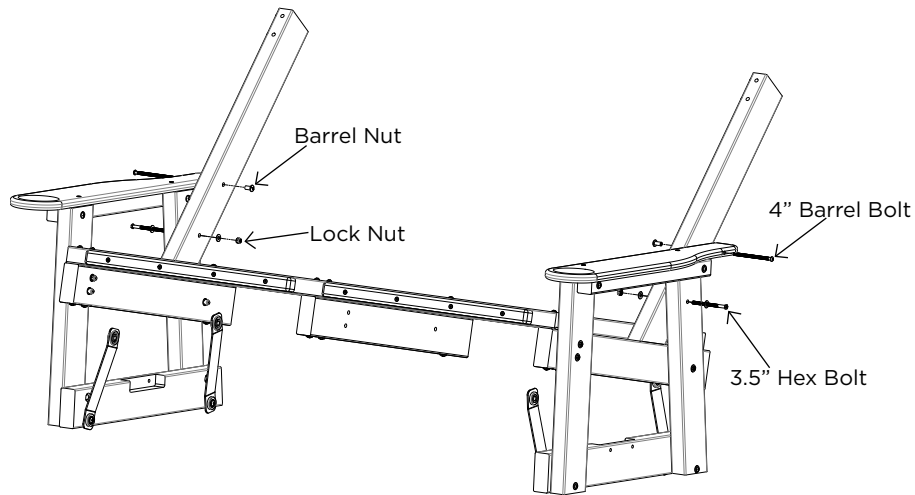
(4) Lock Nuts

SUGGESTED TOOLS

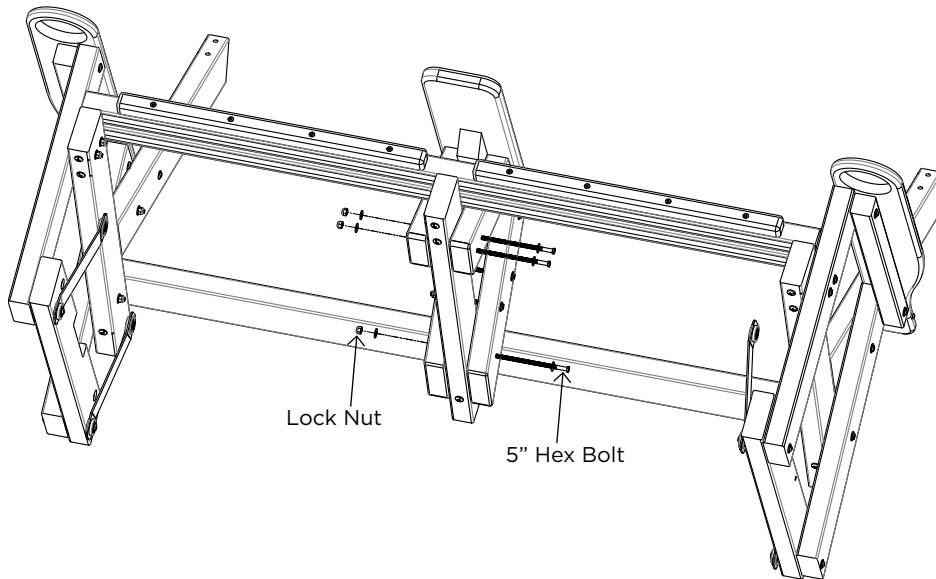
- Rubber Mallet
- Adjustable Wrench
- Phillips Head Screwdriver

ASSEMBLY

STEP 2. Position an upright as shown and secure it with (1) 3.5" Hex bolt and a washer on each side of the material with (1) 4" Barrel Bolt and Barrel Nut for the arm. Repeat for the other side.

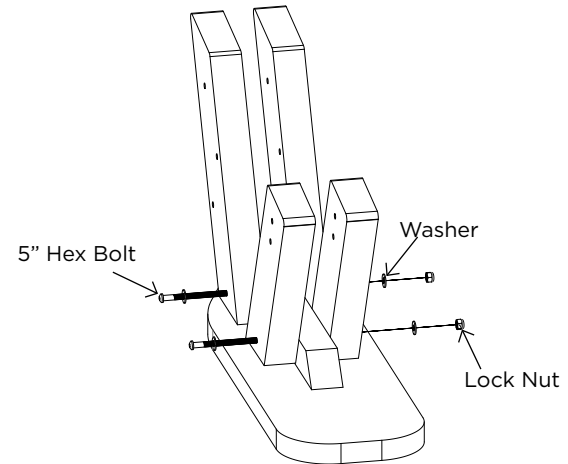


STEP 4. Place the center table in the frame as shown, use (3) 5" Hex bolts, a washer on each side of the material and a lock nut to secure the front and rear legs to the center frame.

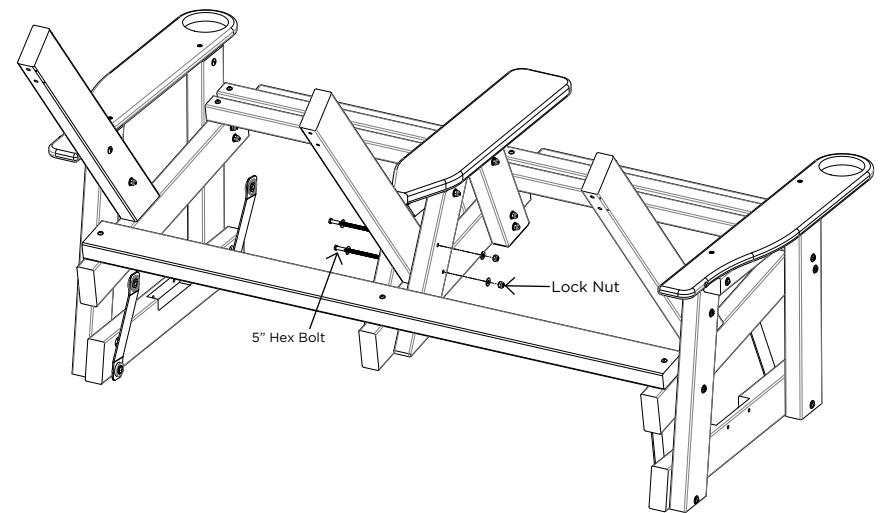


STEP 3. Attach front and rear table legs to the center table using (2) 5" Hex Bolts, a washer on each side of the material and a lock nut as shown.

Note: Rear legs are longer than the front.

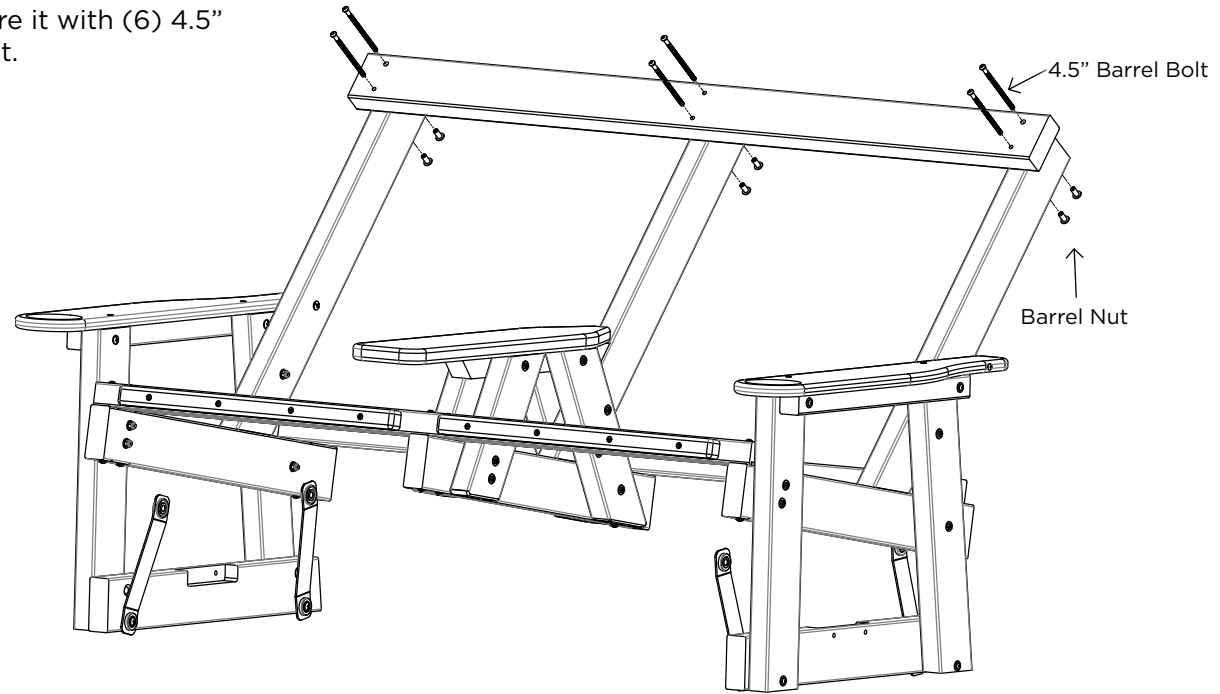


STEP 5. Attach center upright with (2) 5" Hex Bolts with a washer on each side of the material and secure with a locknut.



ASSEMBLY

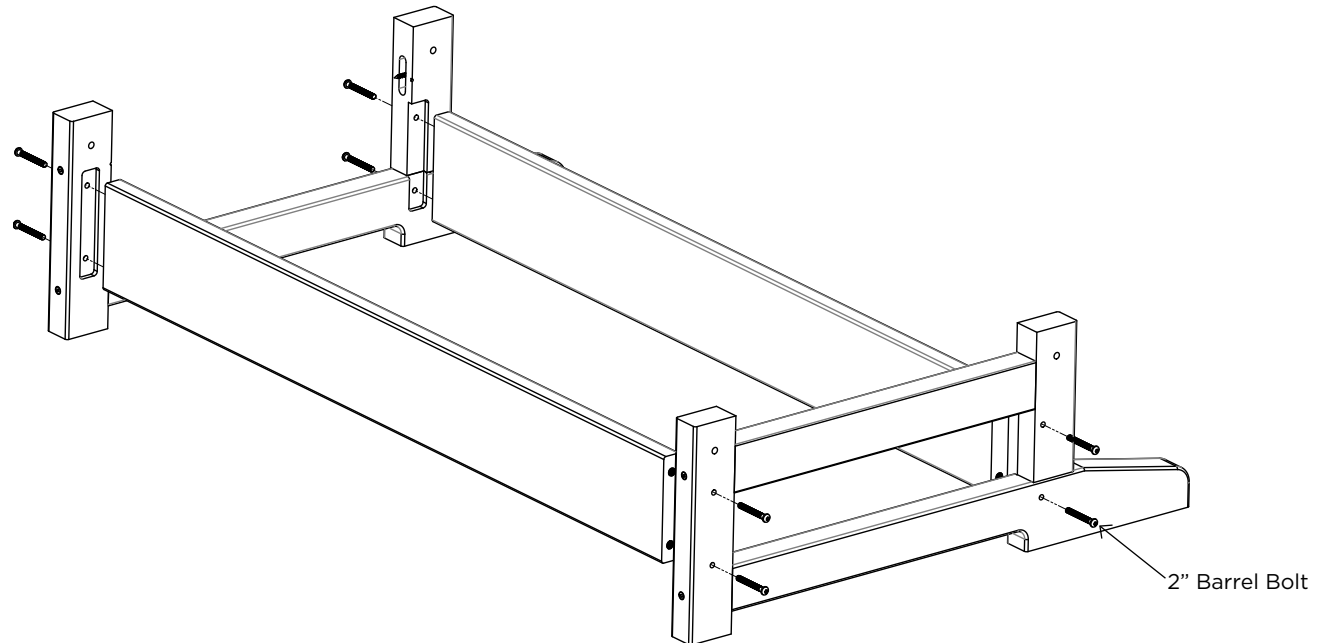
STEP 6. Position roll-up as shown and secure it with (6) 4.5" Barrel Bolts, starting with the center upright.



STEP 7. Attach (2) Shorter Glider Base Spreaders to (2) Glider Leg Assemblies using (8) 2" Barrel Bolts.

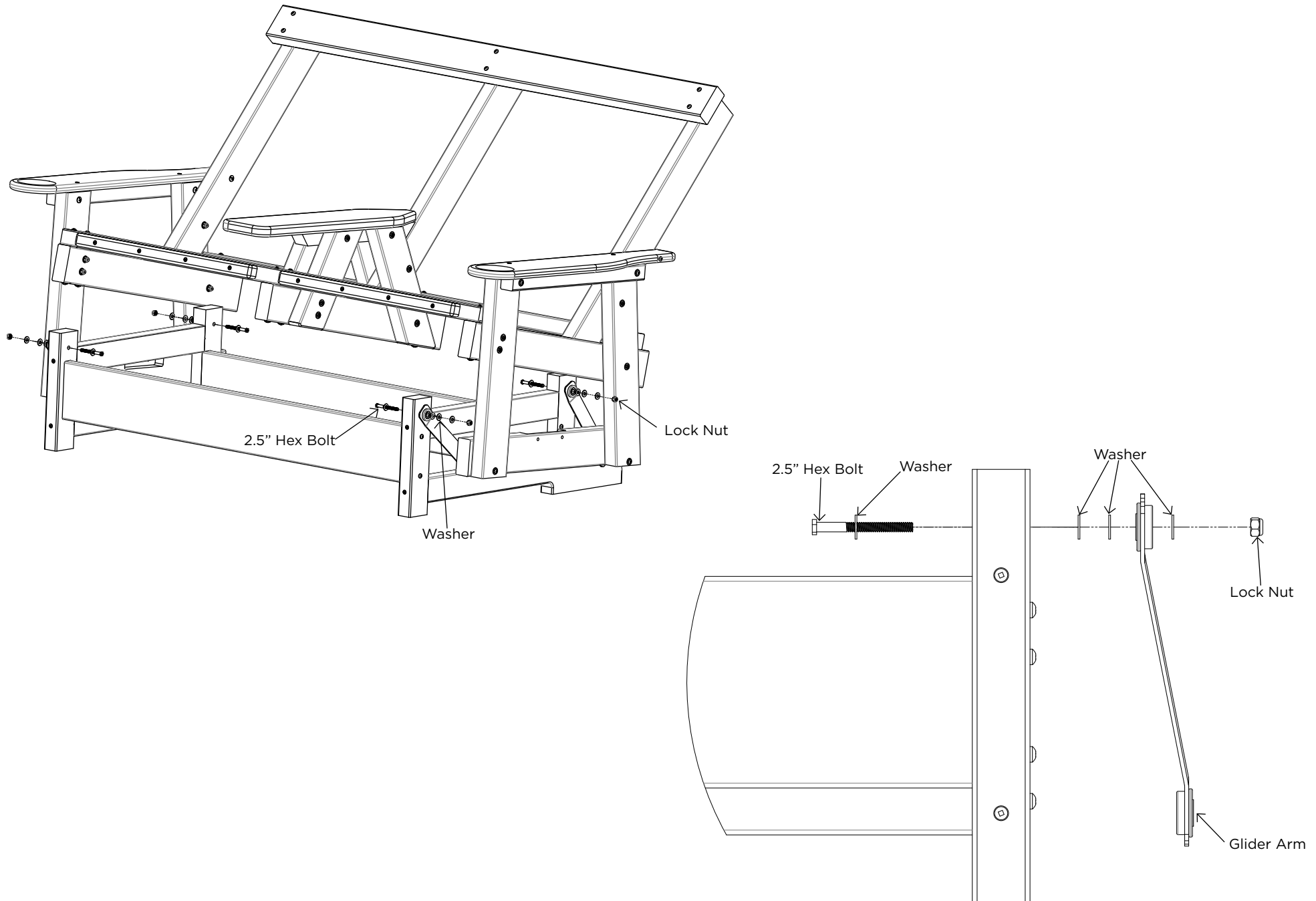
Note: Beam hidden in image to show bolts

The longer spreader is used in Step 9



ASSEMBLY

STEP 8. Use (4) 2.5" Hex Bolts, (16) washers, and (4) lock nuts to attach Glider Frame Assembly to Glider Bench Assembly. Refer to detail image for correct hardware installation.



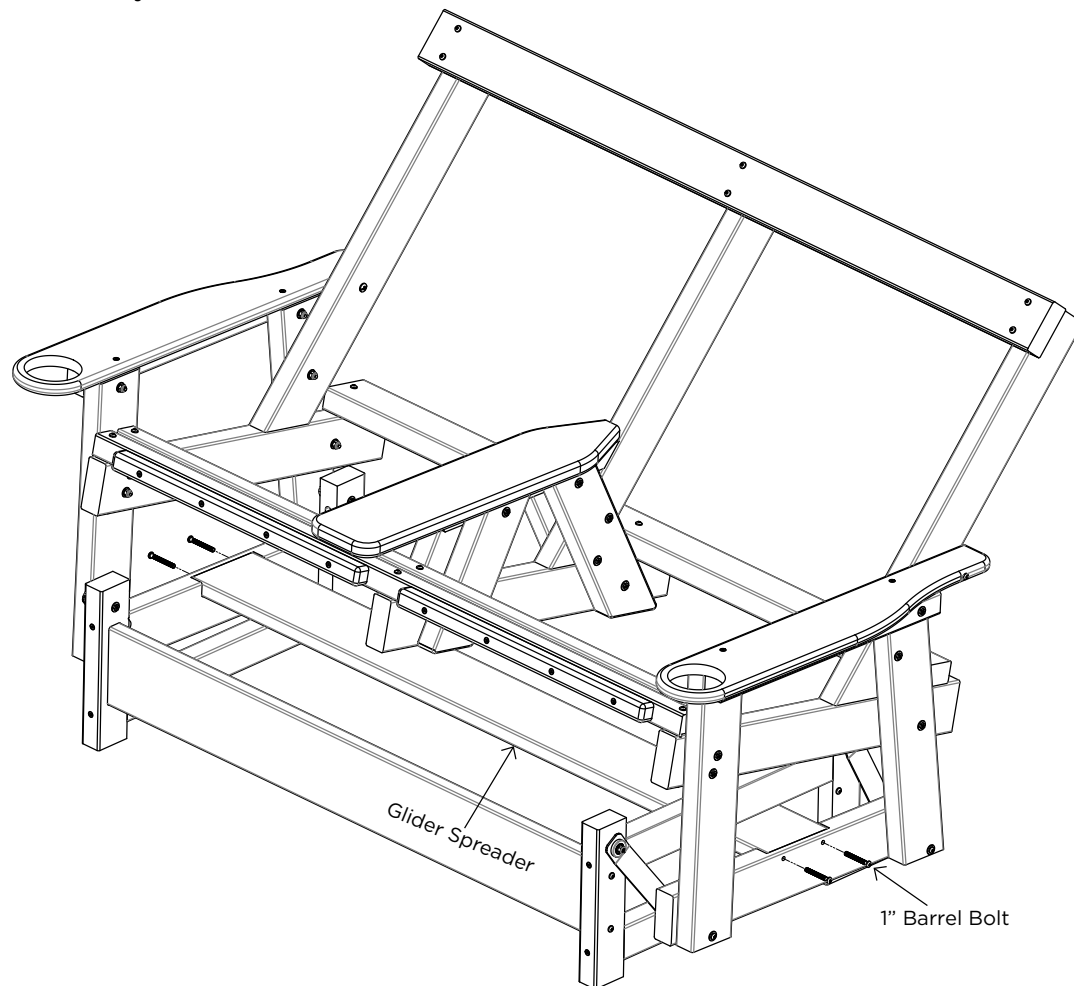
Glider Base Hardware Installation Detail View

ASSEMBLY

STEP 9. Slide Long Glider Spreader in place into the slots on the arm assemblies, then use (4) 1" Barrel Bolts to connect the Glider Spreader to the Glider Bench Assembly.

The Long Glider Spreader will spread out the frame connected to the glider base, it will be a tight fit.

Note: Beam on glider base hidden to show assembly.



Congratulations on purchasing this Original Nag's Head Double Rope Glider. QUESTIONS REGARDING THIS PRODUCT? Call our customer service team, 252-295-0405.

INSTALLATION - Get somebody to help you, some pieces are heavy and a second pair of hands is always helpful. Do not tighten bolts until the product is fully assembled. Some pieces are harder to fit in place and this will help. A hammer or rubber mallet is needed during assembly. Do not over-tighten the bolts or screws. Build your item close to where it will be used to eliminate difficulty in moving once completed. For a uniform look, face all nuts in the same direction.

MAINTENANCE - Great care has been put into manufacturing this item. However, it is made of high density resin and some natural aesthetic imperfections and dark spots are normal and should be expected. You can wash the wood and the rope using a hose and some bleach water. You can also brush the wood to help remove dirt.

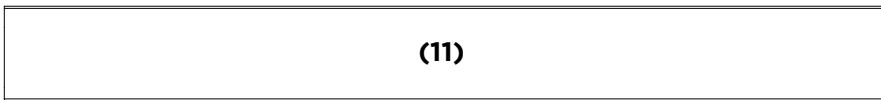
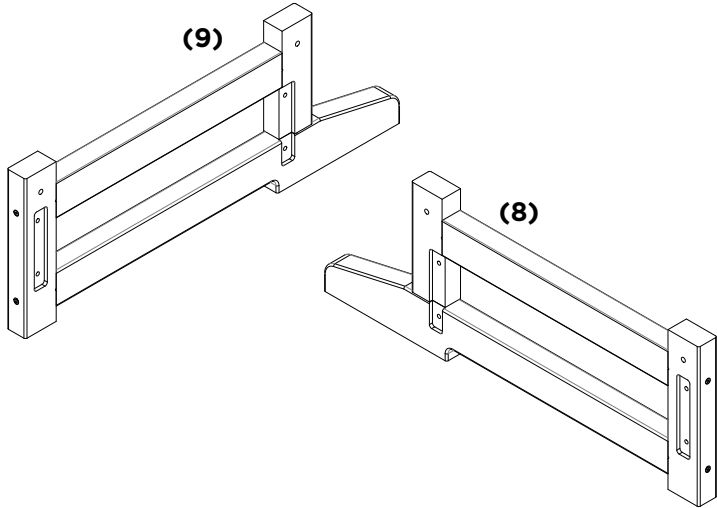
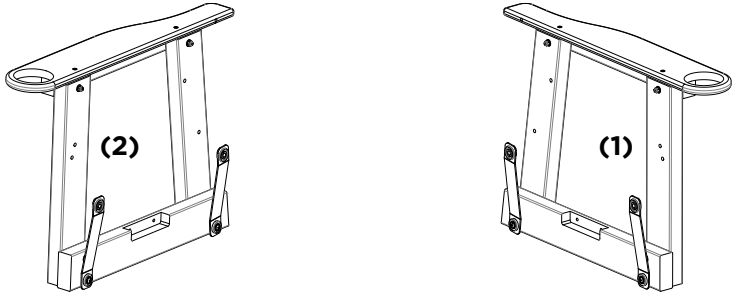
Thoroughly inspect product before each use. Periodically check bolts after assembly and re-tighten when necessary.

WARRANTY & RETURNS - Our Coastal Collections products are guaranteed to be free of defects in both workmanship and material. The Durawood Frame is backed by a limited lifetime warranty. In the unlikely event that any splintering, rotting, cracking, peeling, or chipping should ever occur on The Hammock Source will supply replacement parts, at no charge to you. This does not include negligence, improper use, animal damage or damage caused by natural disasters. Our Duracord Rope components are guaranteed free of defects in workmanship and materials for up to one year from the date of purchase. Prolonged exposure of the rope components to weather conditions including snow, rain, and humidity are not covered under the warranty, nor is damage caused by normal wear, mildew, or improper care, including storage, maintenance, and assembly. When using around fire, keep furniture at a minimum distance of 30 inches from the heat source. Prevent prolonged exposure to chlorinated water. Note that an original sales receipt must accompany any returned product, along with a Return Authorization Number from Nags Head Hammocks customer service; call (252) 295-0405.

BOX/PARTS BREAKDOWN

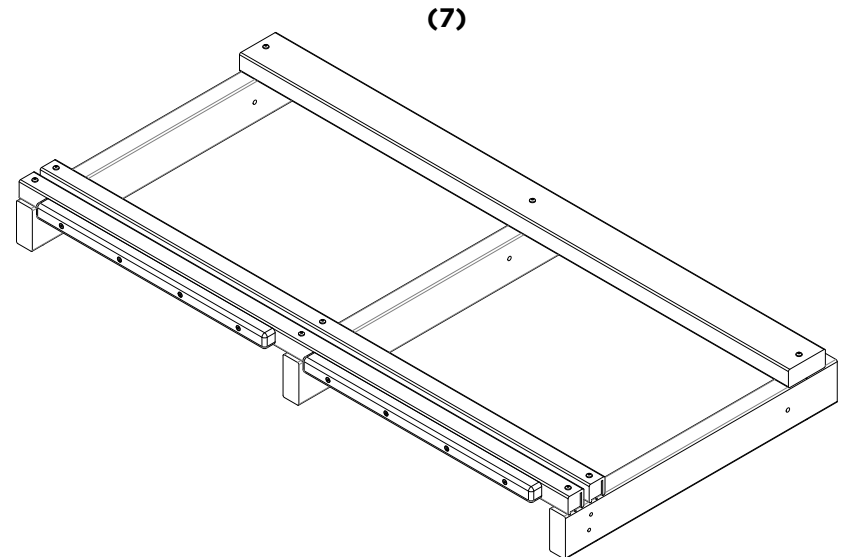
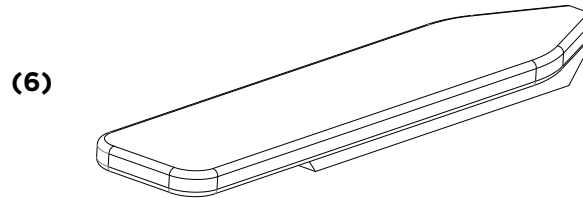
ARM BOX:

- (1) Left Arm Assembly
- (2) Right Arm Assembly



BODY BOX:

- (1) Top Roll-up
- (2) Outer Upright x 2
- (3) Center Upright
- (4) Center Front Leg x 2
- (5) Center Rear Leg x 2
- (6) Table Top
- (7) Body/Frame
- (8) Left Glider Leg Assembly
- (9) Right Glider Leg Assembly
- (10) Shorter Glider Base Spreaders x 2
- (11) Long Glider Base Spreader



Note: For Reference

Short spreader measures 43"
 Long spreader measures 51"

