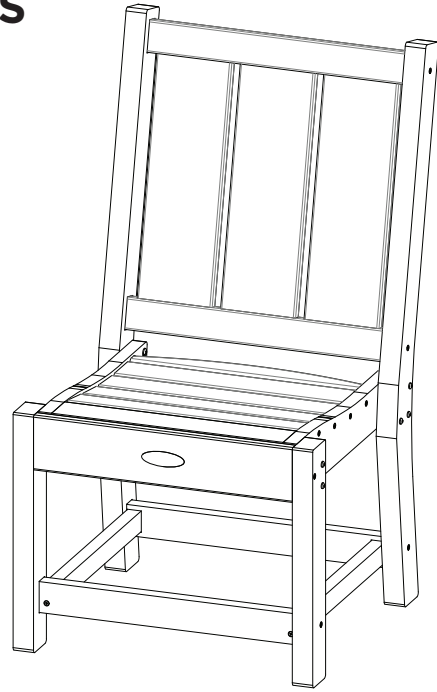


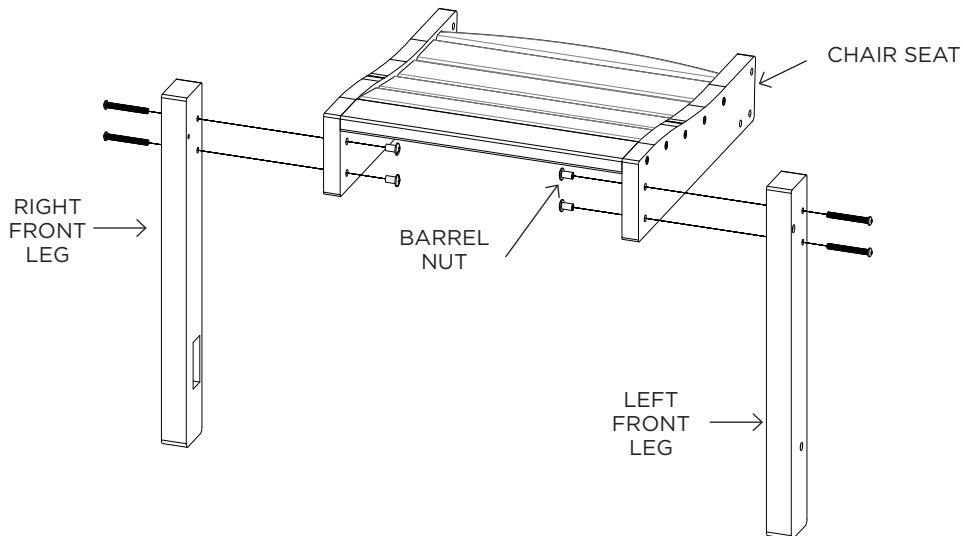
DINING CHAIR INSTRUCTIONS



ASSEMBLY

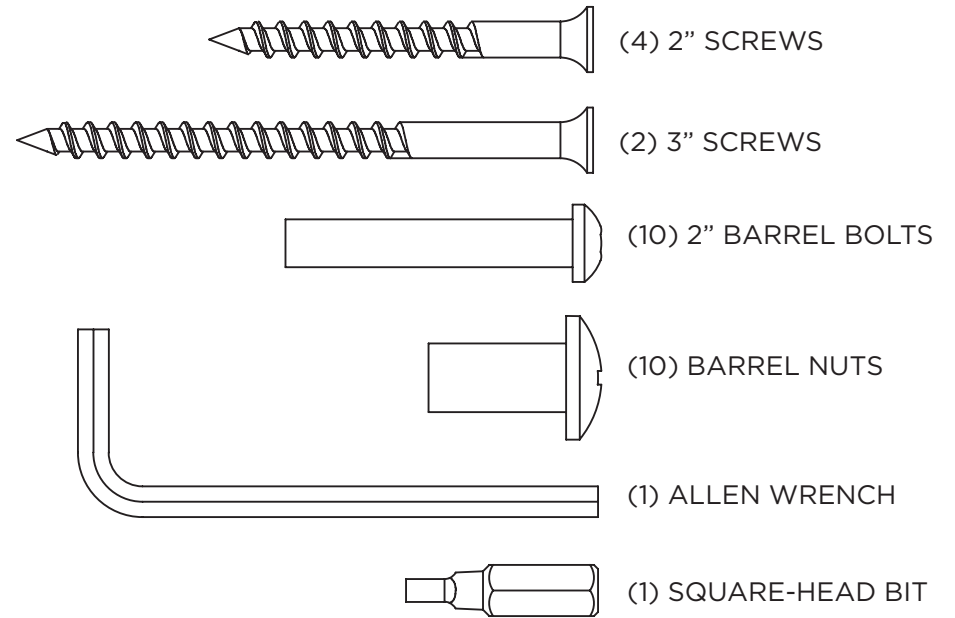
STEP 1. Attach chair seat to left and right front legs using (4) barrel bolts and barrel nuts.

Note: Name plate hidden to show assembly.



HARDWARE PACK

HHDC1: Hardware Pack Weight: 3.5 oz.



CHAIR PARTS

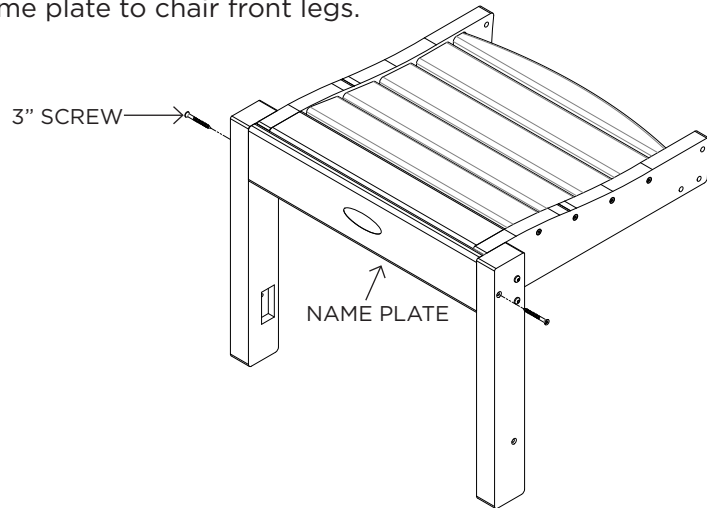
- CHAIR BACK/BACK LEGS
- CHAIR SEAT
- LEFT FRONT LEG
- RIGHT FRONT LEG
- NAMEPLATE
- LOWER FRAME

SUGGESTED TOOLS

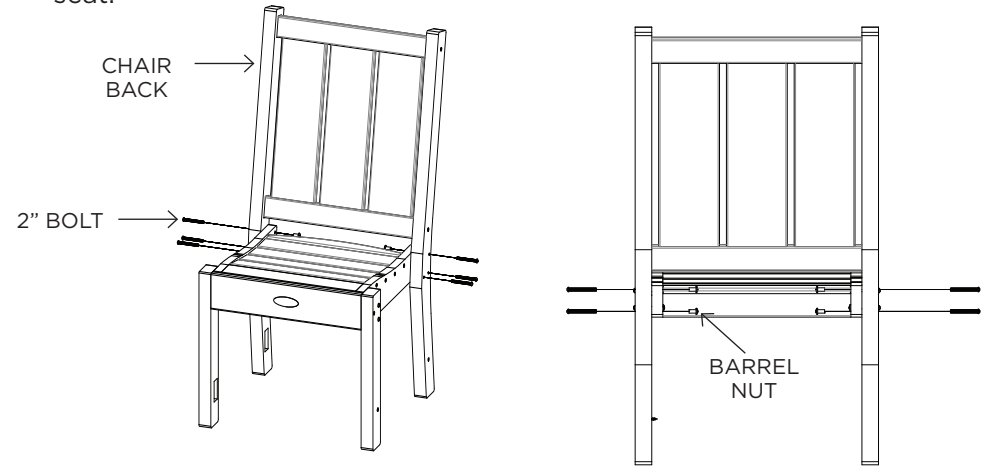
- RUBBER MALLET
- PHILLIPS HEAD SCREWDRIVER
- DRILL

ASSEMBLY

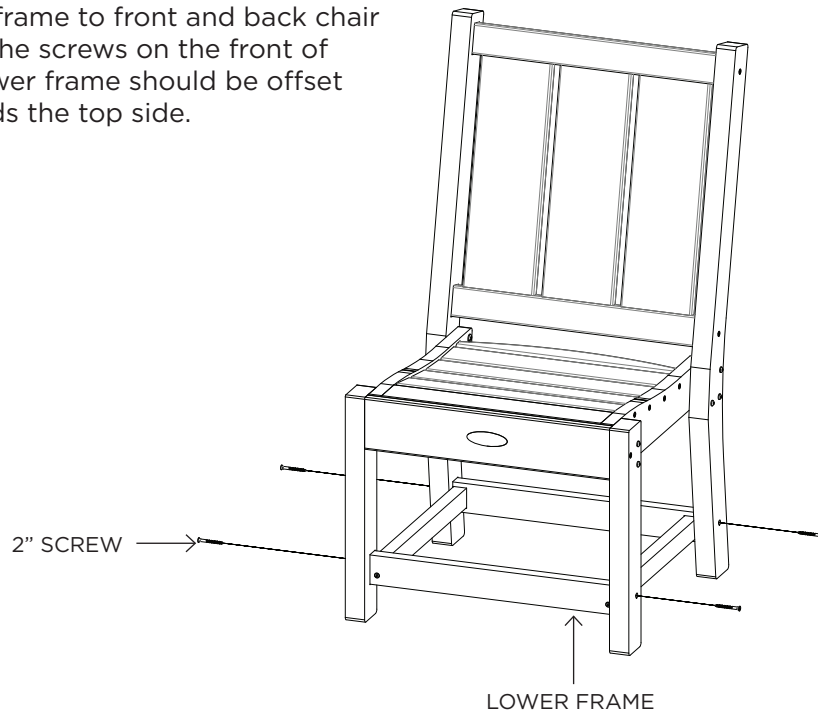
STEP 2. Use (2) 3" screws to attach name plate to chair front legs.



STEP 3. Use (6) 2" bolts and barrel nuts to attach chair back to chair seat.



STEP 4. Use (4) 2" screws to attach lower frame to front and back chair legs. The screws on the front of the lower frame should be offset towards the top side.



Congratulations on purchasing this Dining Chair. QUESTIONS REGARDING THIS PRODUCT? Call our customer service team, 252-758-0641.

RESIDENTIAL WARRANTY - This quality product includes a FULL LIFETIME WARRANTY for RESIDENTIAL CUSTOMERS. In the unlikely event any splintering, rotting, cracking, peeling, chipping, insect infestation or other damage should ever occur, The Hammock Source will replace this furniture, at no charge to you. Note that an original sales receipt must accompany any returned product, along with a Return Authorization Number from Hammock Source customer service; call toll-free at 252-758-0641.

CONTRACTOR WARRANTY - CONTRACTORS receive a FULL 7-YEAR WARRANTY. Follow the same steps outlined above.

MAINTENANCE - Periodically check bolts after assembly and re-tighten when necessary.