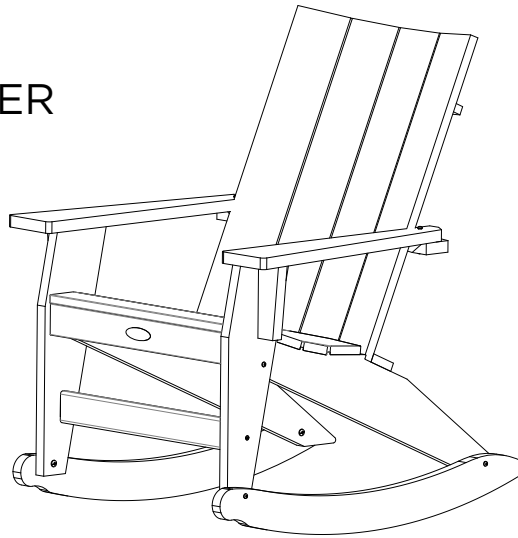
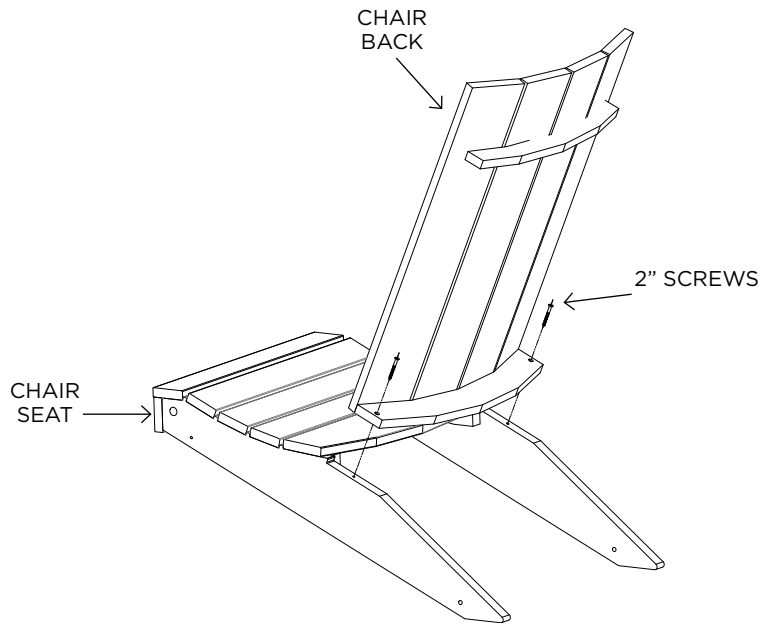


ADIRONDACK ROCKER INSTRUCTIONS



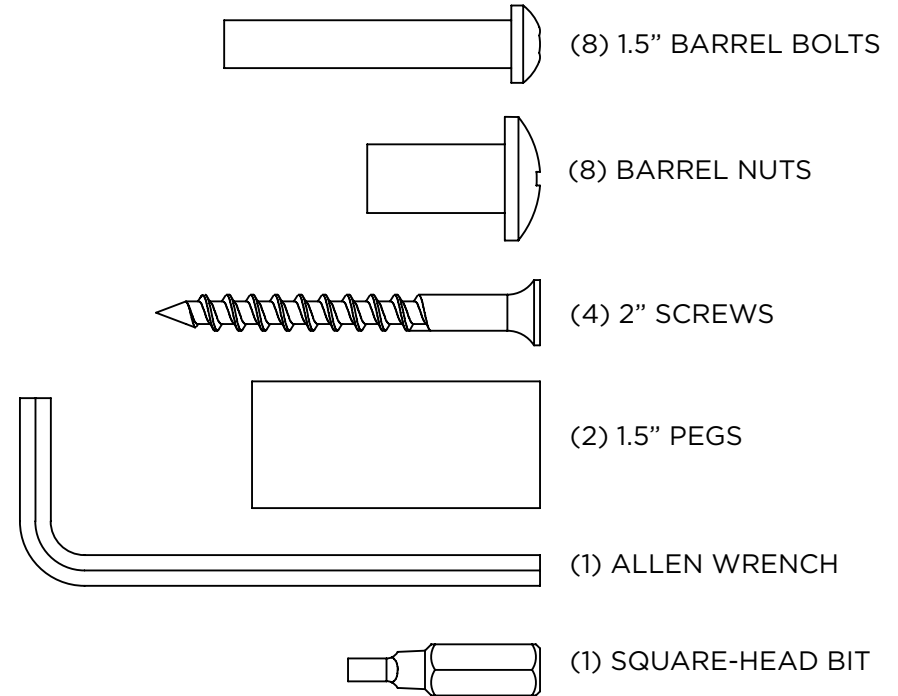
ASSEMBLY

STEP 1. Place Chair Back on Chair Seat, push back up against notch on seat. Use (2) 2" screws to attach chair back to chair seat.



HARDWARE PACK

Hardware Pack Weight: 6.4 oz.



CHAIR PARTS

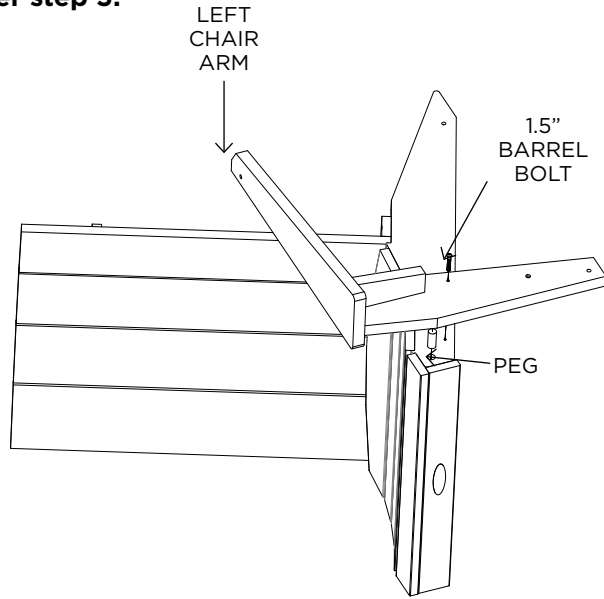
- CHAIR BACK
- CHAIR SEAT
- LEFT CHAIR ARM
- RIGHT CHAIR ARM
- SPREADER BAR
- LEFT RUNNER
- RIGHT RUNNER

SUGGESTED TOOLS

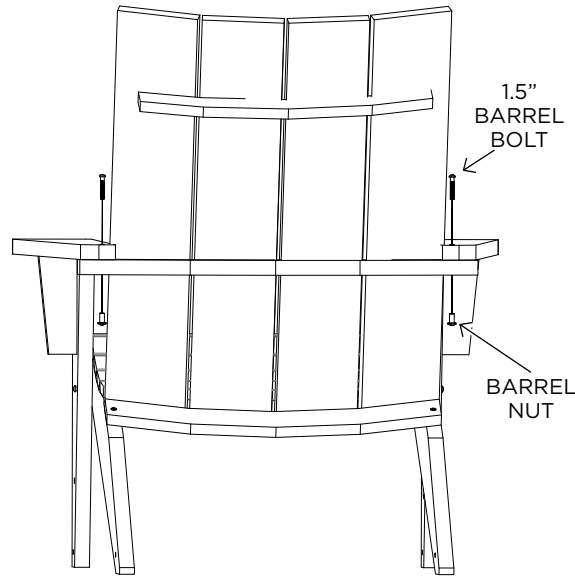
- RUBBER MALLET
- PHILLIPS HEAD SCREWDRIVER
- DRILL

ASSEMBLY

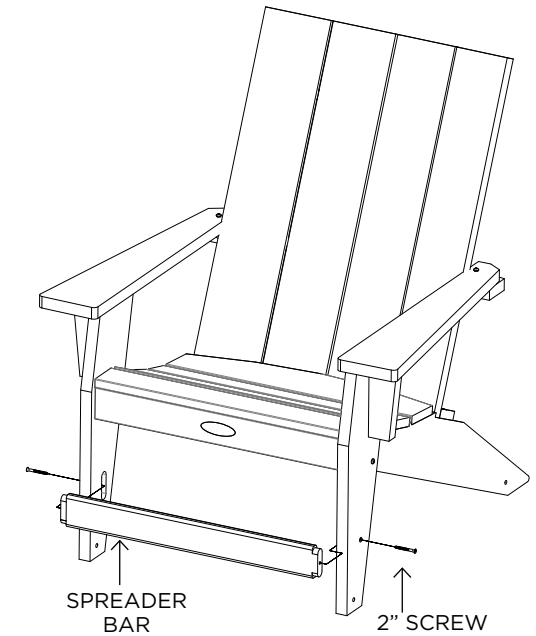
STEP 2. Place chair on it's side and use (1) peg, (1) barrel bolt and (1) barrel nut to attach the first arm to the chair seat. Flip chair over and repeat on other side. **Do not tighten bolts until after step 5.**



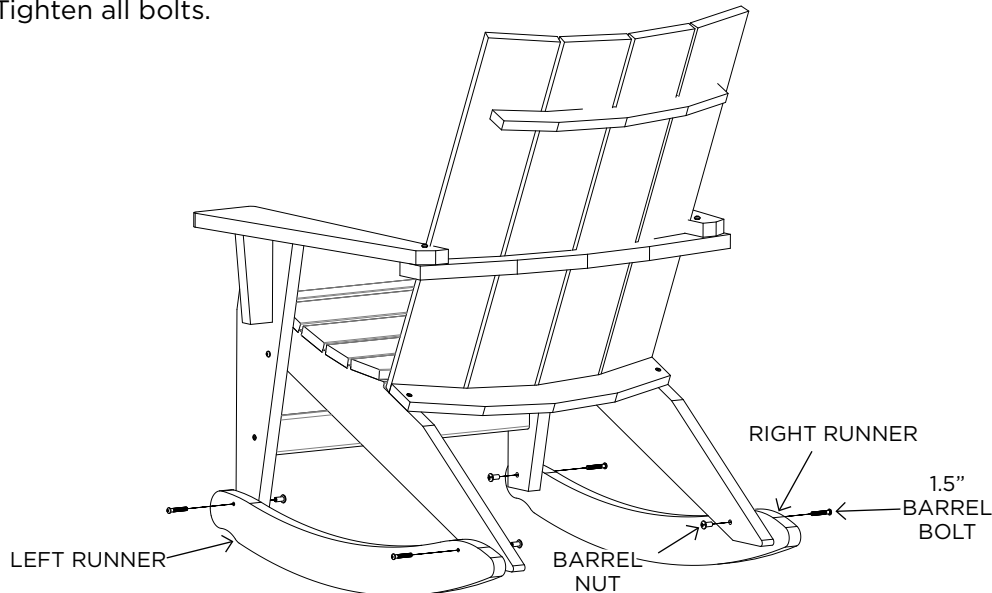
STEP 3. Use (2) 1.5" barrel bolts and (2) barrel nuts to attach right & left chair arm to chair back.



STEP 4. Place and secure spreader bar using (2) 2" screws.



STEP 5. Use (4) 1.5" barrel bolts and (4) barrel nuts to attach right & left chair rockers to chair seat and chair legs. Tighten all bolts.



Congratulations on purchasing this Adirondack Rocker. QUESTIONS REGARDING THIS PRODUCT? Call our customer service team, 252-758-0641.

RESIDENTIAL WARRANTY - This quality product includes a LIMITED LIFETIME WARRANTY for RESIDENTIAL CUSTOMERS. In the unlikely event any splintering, rotting, cracking, peeling, or chipping should ever occur, The Hammock Source will supply replacement parts or replace the furniture, at no charge to you. This does not include negligence, improper use, animal damage or damage caused by natural disasters. When using around fire, keep furniture at a minimum distance of 30 inches from the heat source. Prevent prolonged exposure to chlorinated water. Note that an original sales receipt must accompany any returned product, along with a Return Authorization Number from Hammock Source customer service; call toll-free at 252-758-0641.

CONTRACTOR WARRANTY - CONTRACTORS receive a LIMITED 7-YEAR WARRANTY. Follow the same steps outlined above.

MAINTENANCE - Thoroughly inspect product before each use. Periodically check bolts after assembly and re-tighten when necessary.

