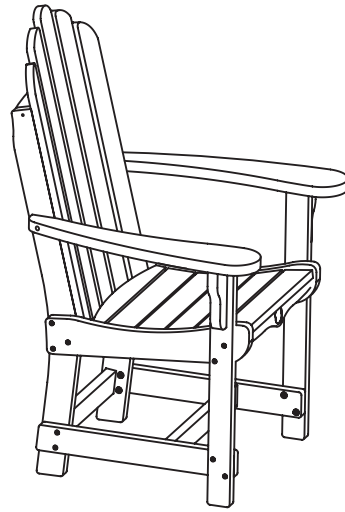


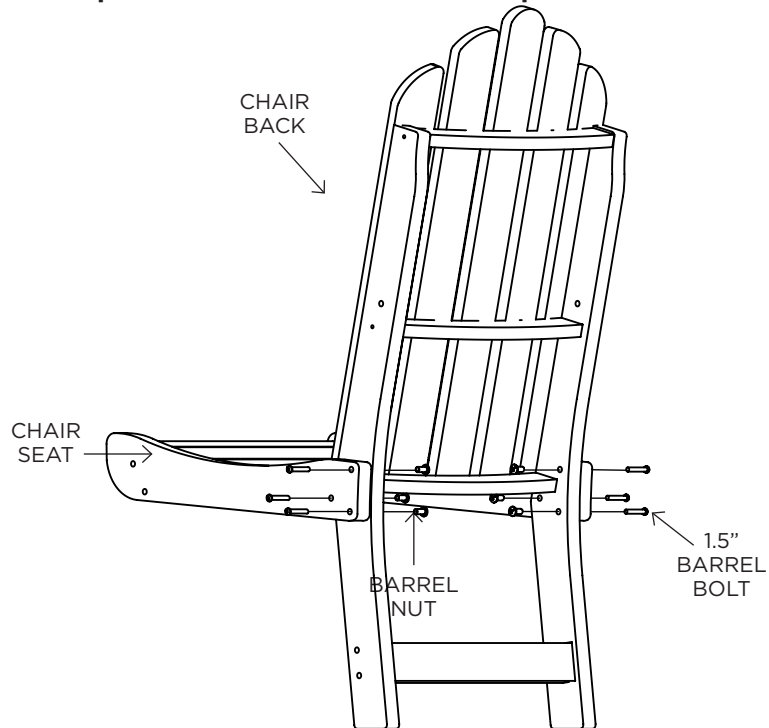
ESSENTIALS/SUNRISE DINING CHAIR WITH ARMS INSTRUCTIONS

Sunrise chair back different than shown.



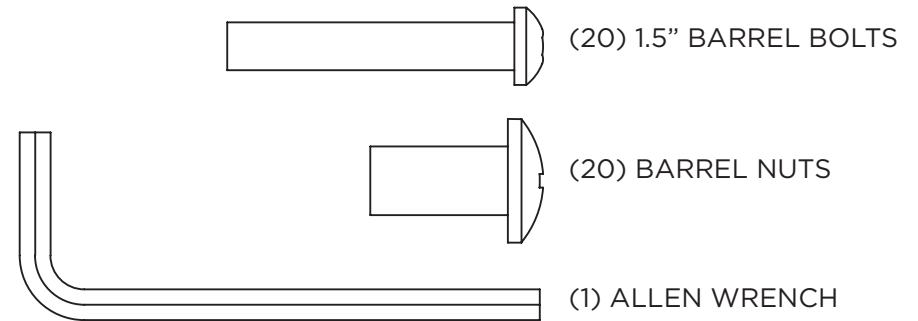
ASSEMBLY

STEP 1. Use (6) 1.5" barrel bolts to attach chair back to chair seat. **Keep all barrel bolts loose until Step 4.**



HARDWARE PACK

DC1: Hardware Pack Weight: 11.4 oz



CHAIR PARTS

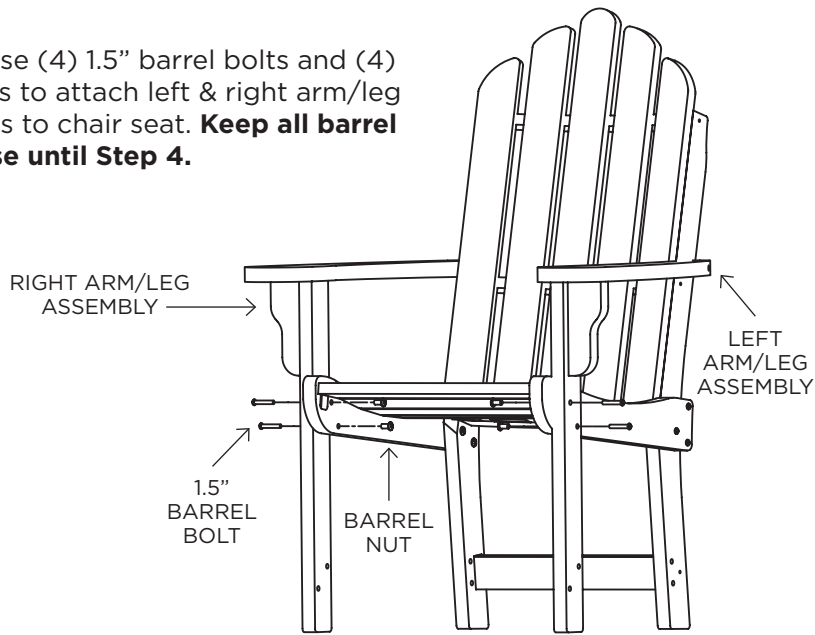
- CHAIR SEAT
- CHAIR BACK
- BOTTOM CHAIR FRAME
- LEFT ARM/LEG ASSEMBLY
- RIGHT ARM/LEG ASSEMBLY

SUGGESTED TOOLS

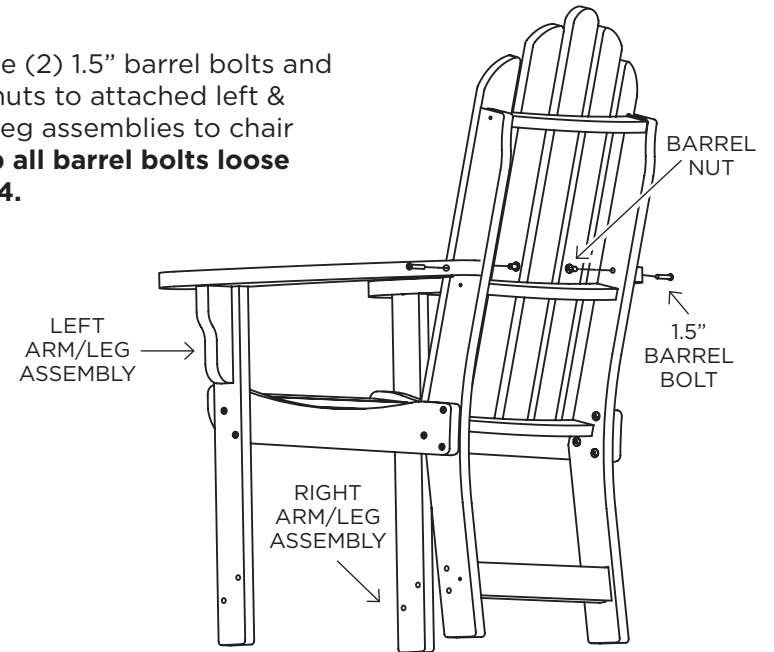
- PHILLIPS HEAD SCREWDRIVER

ASSEMBLY

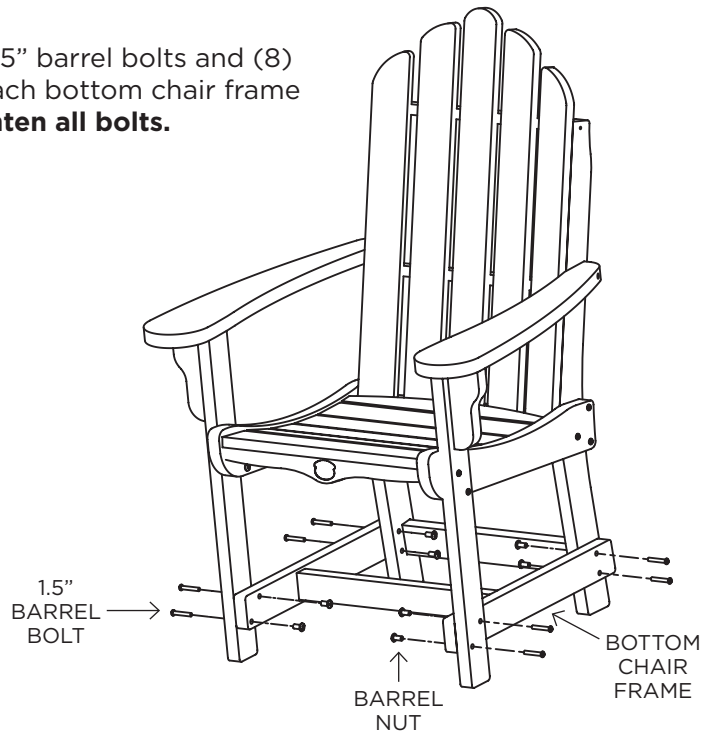
STEP 2. Use (4) 1.5" barrel bolts and (4) barrel nuts to attach left & right arm/leg assemblies to chair seat. **Keep all barrel bolts loose until Step 4.**



STEP 3. Use (2) 1.5" barrel bolts and (2) barrel nuts to attached left & right arm/leg assemblies to chair back. **Keep all barrel bolts loose until Step 4.**



STEP 4. Use (8) 1.5" barrel bolts and (8) barrel nuts to attach bottom chair frame to chair legs. **Tighten all bolts.**



Congratulations on purchasing this Durawood Essentials/Sunrise Dining Chair with Arms. QUESTIONS REGARDING THIS PRODUCT? Call our customer service team, 252-758-0641.

RESIDENTIAL WARRANTY - This quality product includes a FULL LIFETIME WARRANTY for RESIDENTIAL CUSTOMERS. In the unlikely event any splintering, rotting, cracking, peeling, chipping, insect infestation or other damage should ever occur, The Hammock Source will replace this furniture, at no charge to you. Note that an original sales receipt must accompany any returned product, along with a Return Authorization Number from Hammock Source customer service; call toll-free at 252-758-0641.

CONTRACTOR WARRANTY - CONTRACTORS receive a FULL 7-YEAR WARRANTY. Follow the same steps outlined above.

MAINTENANCE - Periodically check bolts after assembly and re-tighten when necessary.