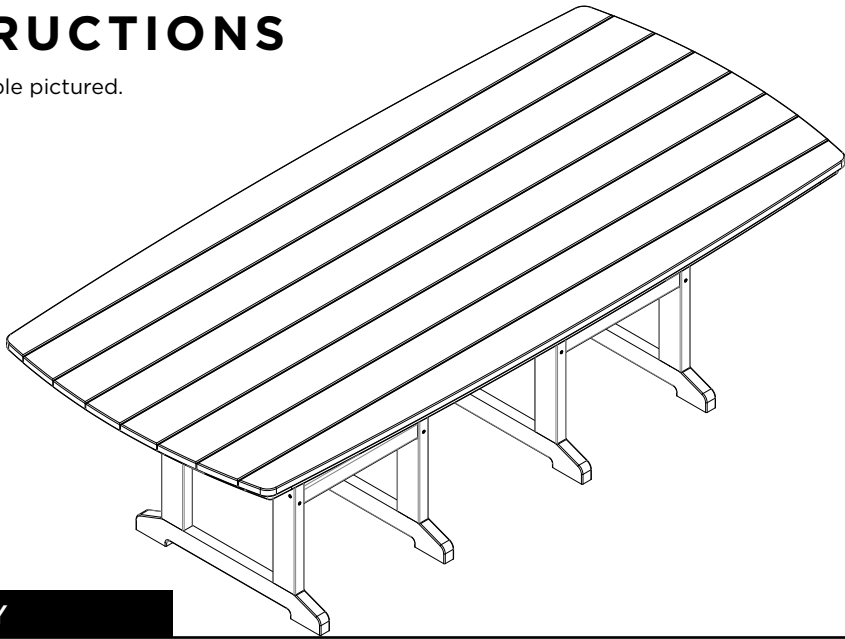


96" & 120" DINING TABLE INSTRUCTIONS

96" Dining Table pictured.

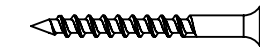


HARDWARE PACK

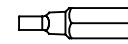
Hardware Pack Weight: 11.4 oz.



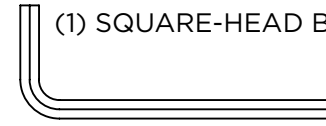
(8) 2" BARREL BOLTS



(24) 3" SCREWS



(1) SQUARE-HEAD BIT



(1) ALLEN WRENCH



(8) LOCK NUTS



(16) WASHERS

TABLE PARTS

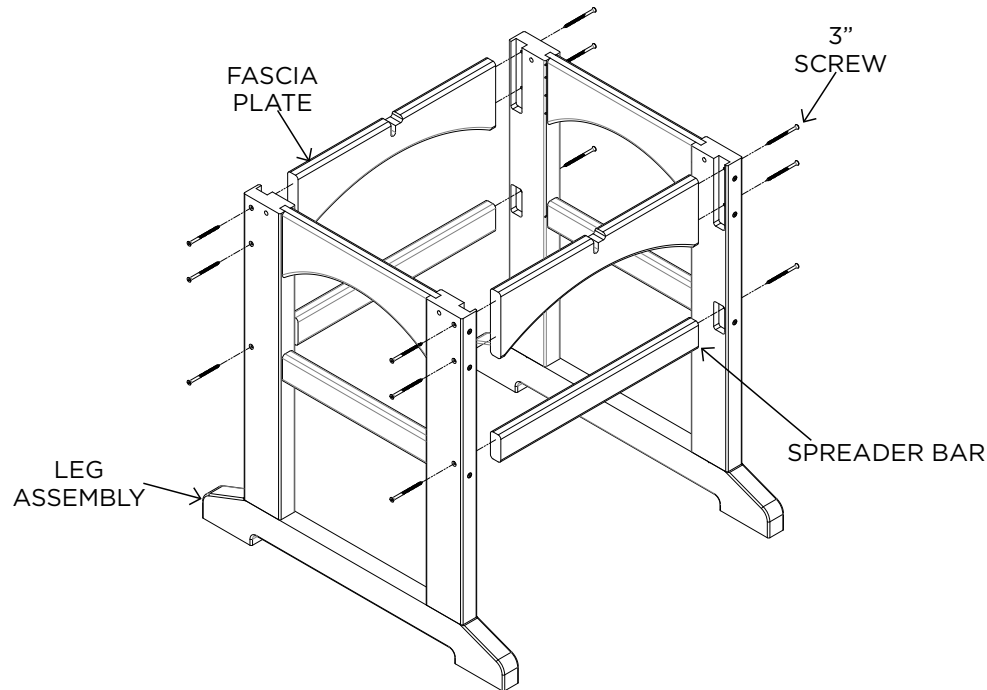
- (4) LEG ASSEMBLIES
- (4) FASCIA PLATES
- (4) SPREADER BARS
- (1) TABLE TOP

SUGGESTED TOOLS

- ADJUSTABLE WRENCH
- DRILL

ASSEMBLY

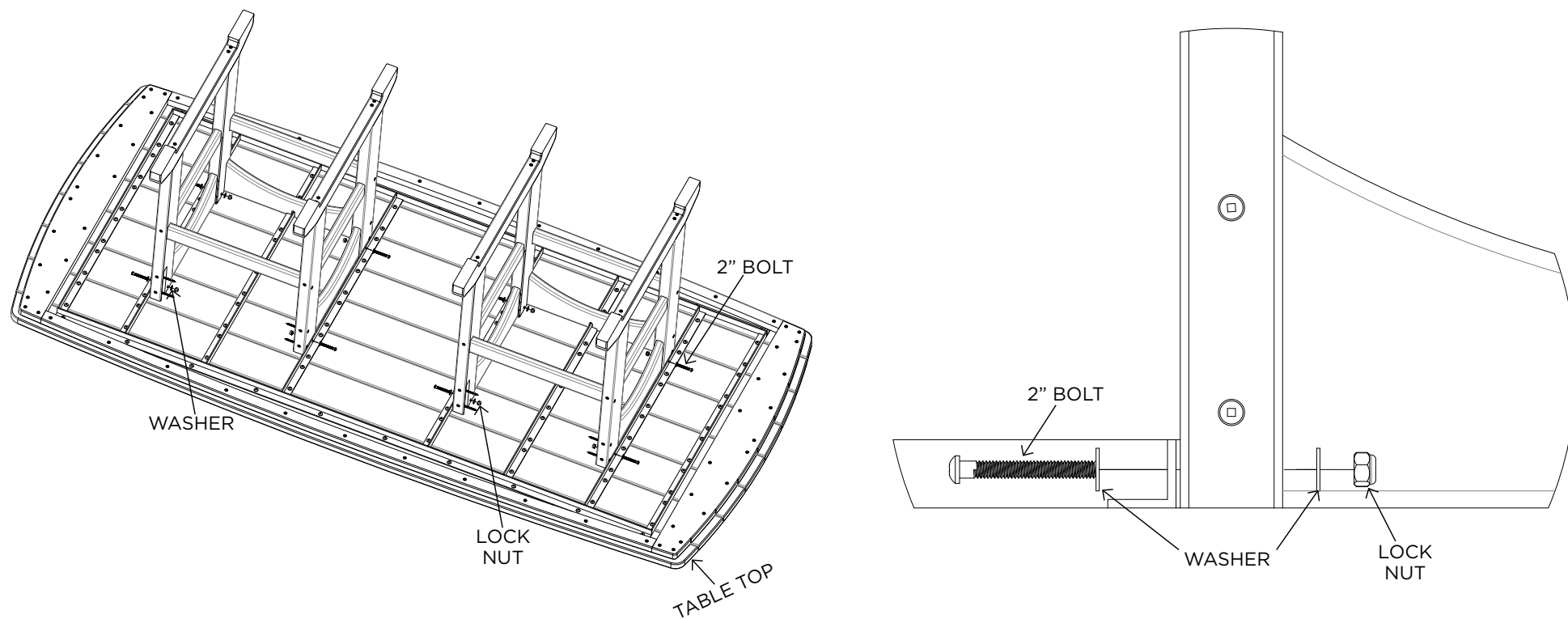
STEP 1. Use (12) 3" screws to attach fascia plates and spreaders to leg assemblies.



STEP 2. Use (8) 2" bolts, (16) washers and (8) lock nuts to attach leg structure to table top. Make sure to use two washers per bolt, one for the bolt head and one for the locknut.

Refer to detailed image for hardware order.

NOTE: Parts hidden for visibility



Congratulations on purchasing this Durawood 96" or 120" Dining Table. QUESTIONS REGARDING THIS PRODUCT? Call our customer service team, 252-758-0641.

RESIDENTIAL WARRANTY - This quality product includes a FULL LIFETIME WARRANTY for RESIDENTIAL CUSTOMERS. In the unlikely event any splintering, rotting, cracking, peeling, chipping, insect infestation or other damage should ever occur, The Hammock Source will replace this furniture, at no charge to you. Note that an original sales receipt must accompany any returned product, along with a Return Authorization Number from Hammock Source customer service; call toll-free at 252-758-0641.

CONTRACTOR WARRANTY - CONTRACTORS receive a FULL 7-YEAR WARRANTY. Follow the same steps outlined above.

MAINTENANCE - Periodically check bolts after assembly and re-tighten when necessary.