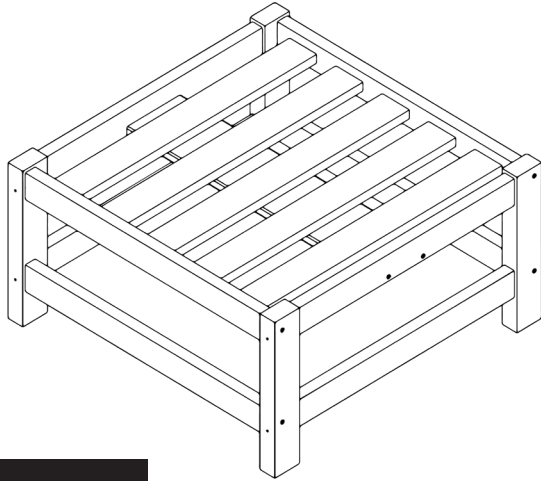
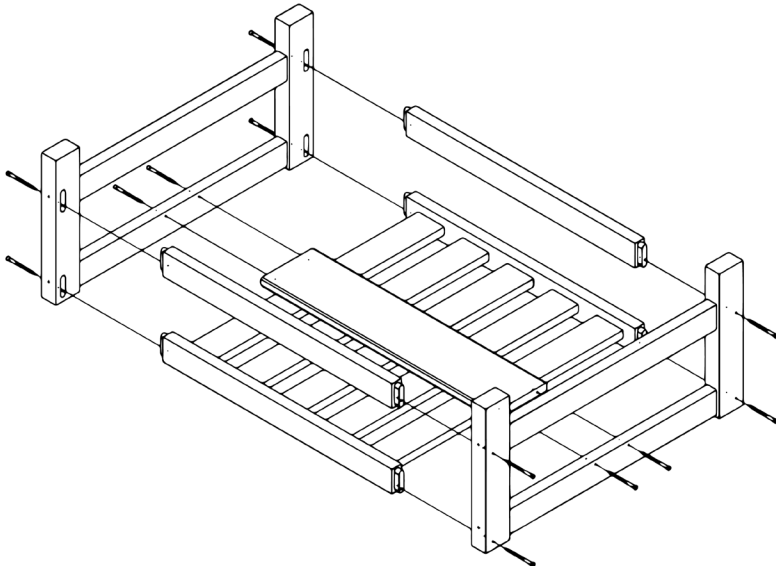


DEEP SEATING OTTOMAN INSTRUCTIONS



ASSEMBLY

STEP 1. Lay the top face down with the deep side facing down. Use (12) 3" screws to attach the two Leg Assemblies to the Ottoman top.



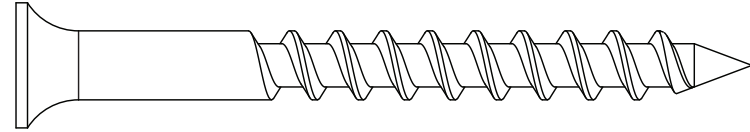
COMPONENTS

- Ottoman Top
- (2) Leg Assemblies
- (2) Spreader Bars
- Hardware Pack

HARDWARE PACK

Hardware Pack Weight: 3.4 oz

- (12) 3" Screws
- (1) Square Head Bit



SUGGESTED TOOLS

- Drill

Congratulations on purchasing this Deep Seating Furniture. QUESTIONS REGARDING THIS PRODUCT? Call our customer service team, 252-758-0641.

RESIDENTIAL WARRANTY - This quality product includes a FULL LIFETIME WARRANTY for RESIDENTIAL CUSTOMERS. In the unlikely event any splintering, rotting, cracking, peeling, chipping, insect infestation or other damage should ever occur, The Hammock Source will replace this furniture, at no charge to you. Note that an original sales receipt must accompany any returned product, along with a Return Authorization Number from Hammock Source customer service; call toll-free at 252-758-0641.

CONTRACTOR WARRANTY - CONTRACTORS receive a FULL 7-YEAR WARRANTY. Follow the same steps outlined above.