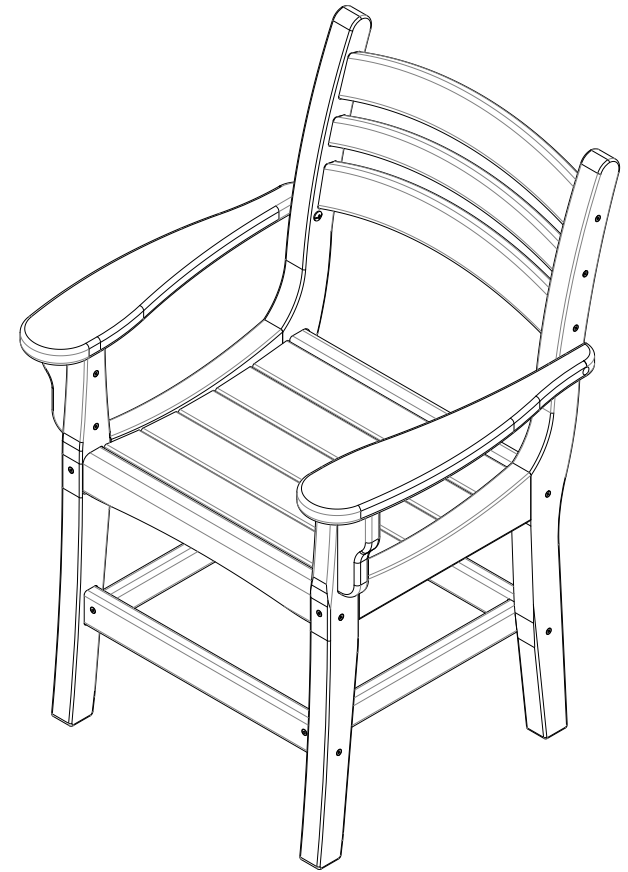
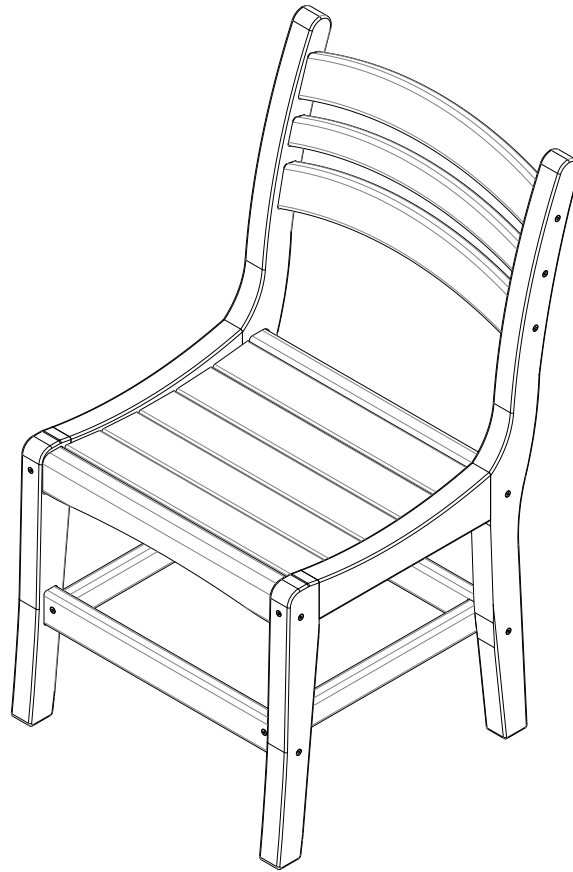


CASUAL DINING CHAIR & CASUAL DINING CHAIR W/ARMS INSTRUCTIONS



CHAIR PARTS

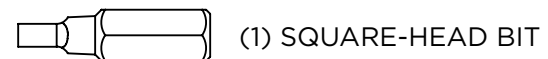
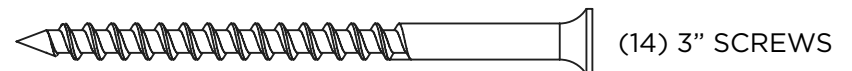
- LEFT LEG ASSEMBLY
- RIGHT LEG ASSEMBLY
- SEAT ASSEMBLY
- LOWER FRAME
- (2) LARGE CURVED SPREADERS
- SMALL CURVED SPREADER

SUGGESTED TOOLS

- RUBBER Mallet
- PHILLIPS HEAD SCREWDRIVER
- DRILL

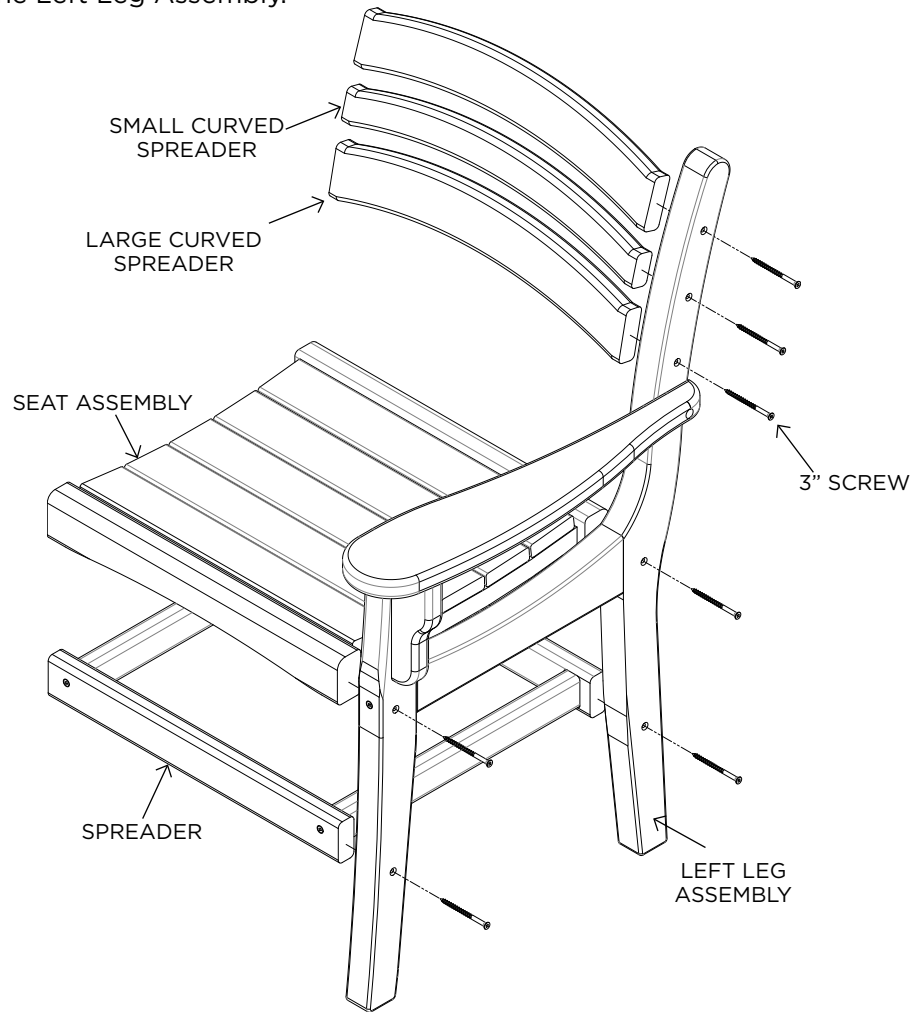
HARDWARE PACK

Hardware Pack Weight: 3.72 oz.

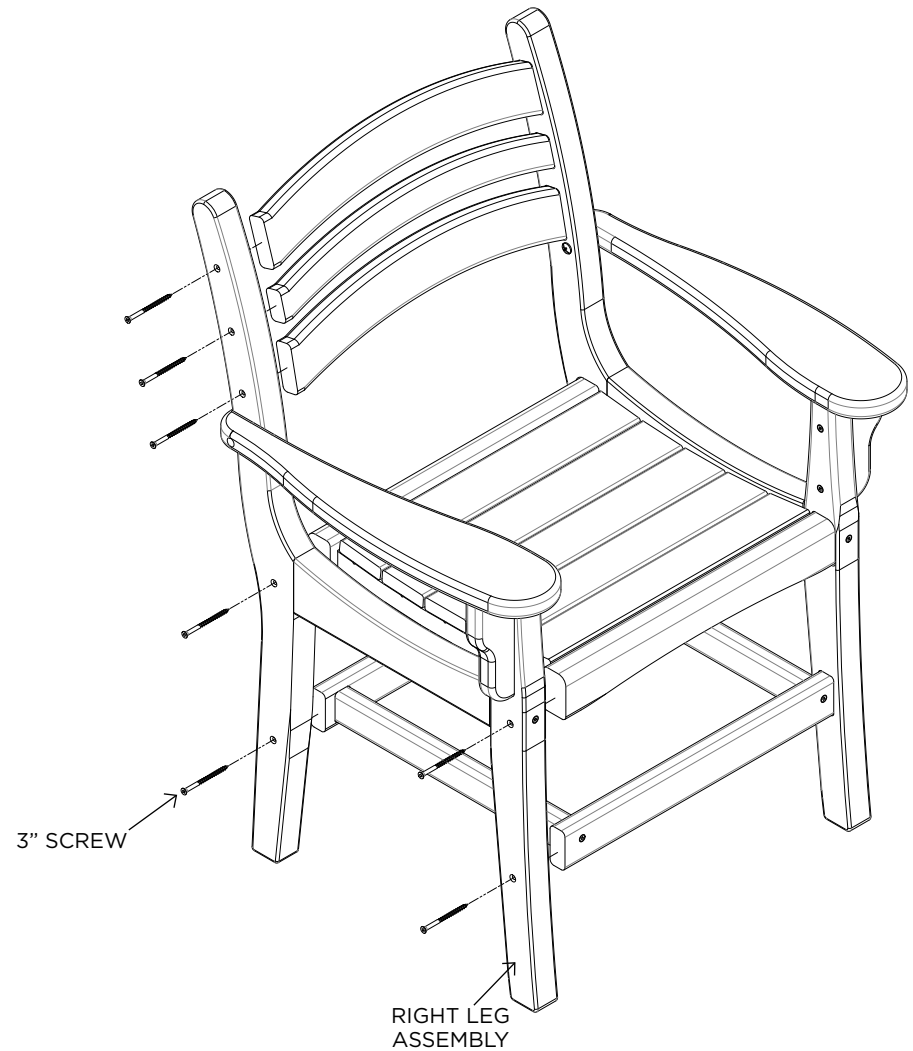


ASSEMBLY

STEP 1. Use (7) 3" screws to attach the Seat Assembly, Lower Frame, (2) large curved spreaders, and the small curved spreader to the Left Leg Assembly.



STEP 2. Use (7) 3" screws to attach the Right Leg Assembly to the Seat Assembly, Lower Frame, and spreaders.



Congratulations on purchasing this Durawood Casual Dining Chair or Casual Dining Chair w/Arms. QUESTIONS REGARDING THIS PRODUCT? Call our customer service team, 252-758-0641.

RESIDENTIAL WARRANTY - This quality product includes a FULL LIFETIME WARRANTY for RESIDENTIAL CUSTOMERS. In the unlikely event any splintering, rotting, cracking, peeling, chipping, insect infestation or other damage should ever occur, The Hammock Source will replace this furniture, at no charge to you. Note that an original sales receipt must accompany any returned product, along with a Return Authorization Number from Hammock Source customer service; call toll-free at 252-758-0641.

CONTRACTOR WARRANTY - CONTRACTORS receive a FULL 7-YEAR WARRANTY. Follow the same steps outlined above.

MAINTENANCE - Periodically check bolts after assembly and re-tighten when necessary.