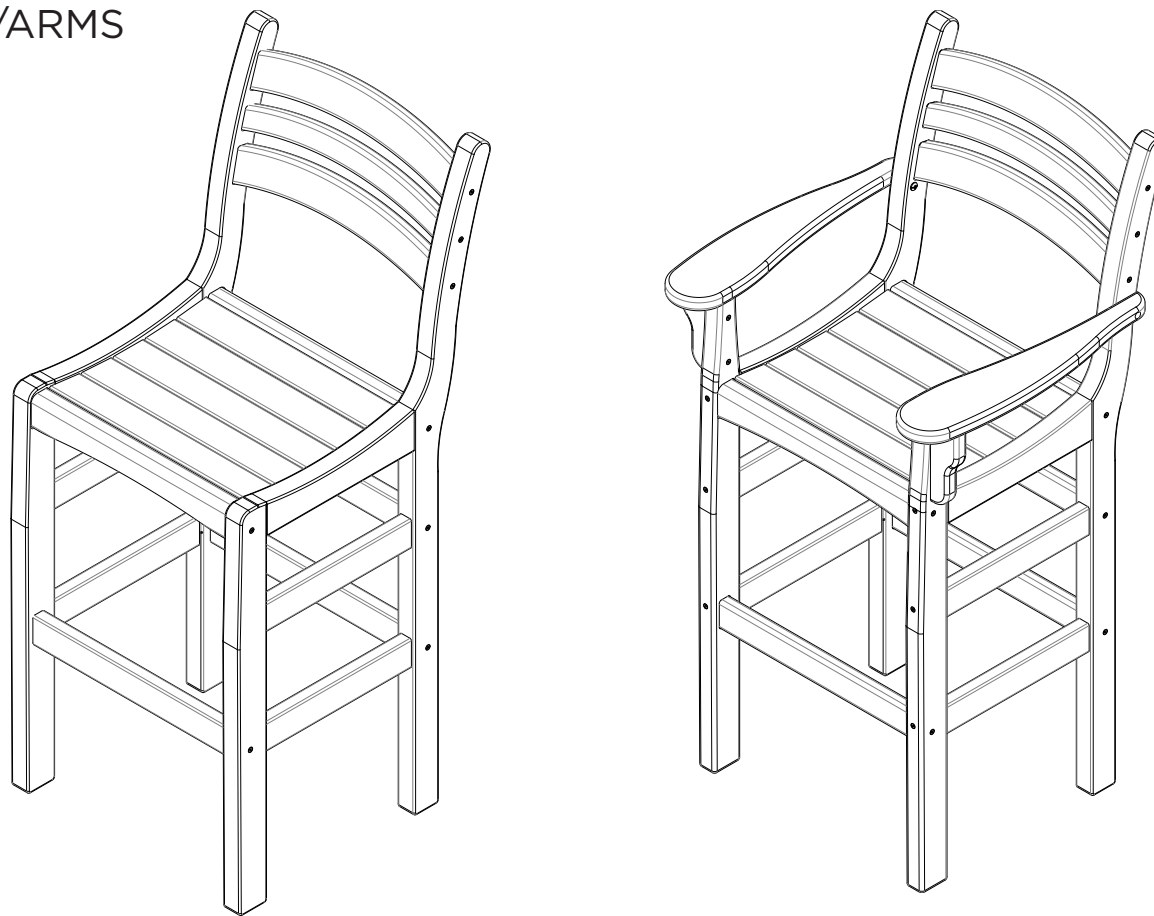


# CASUAL HIGH DINING CHAIR & CASUAL HIGH DINING CHAIR W/ARMS INSTRUCTIONS



## CHAIR PARTS

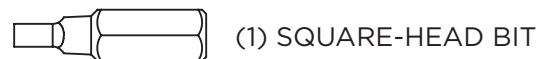
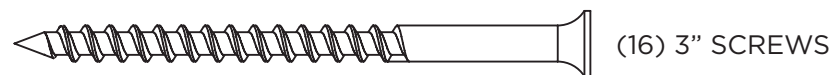
- LEFT LEG ASSEMBLY
- RIGHT LEG ASSEMBLY
- SEAT ASSEMBLY
- (3) SPREADERS
- (2) LARGE CURVED SPREADERS
- SMALL CURVED SPREADER

## SUGGESTED TOOLS

- RUBBER Mallet
- PHILLIPS HEAD SCREWDRIVER
- DRILL

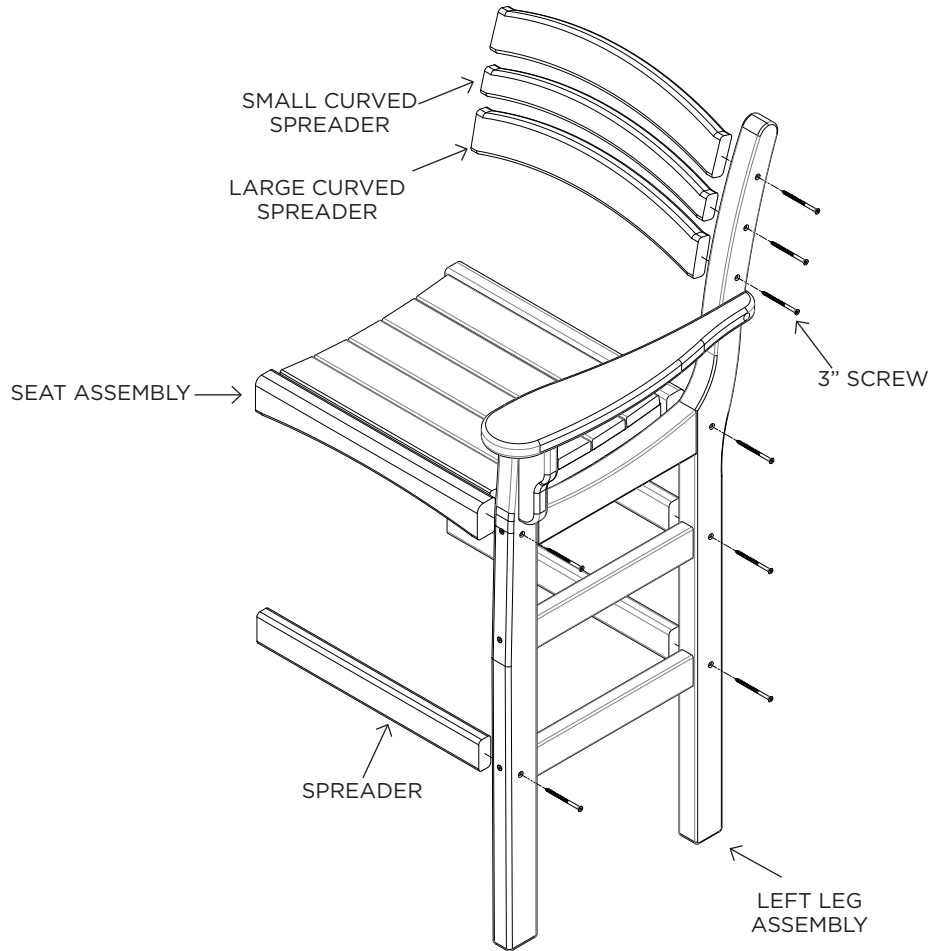
## HARDWARE PACK

Hardware Pack Weight: 4.2 oz.

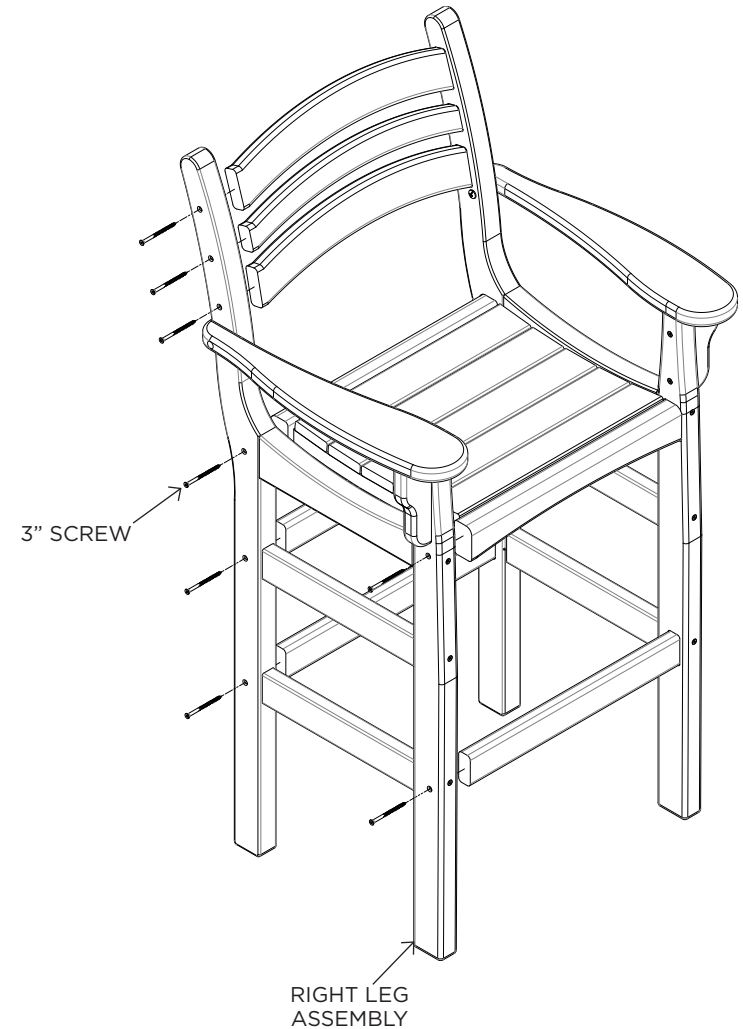


## ASSEMBLY

**STEP 1.** Use (8) 3" screws to attach the Seat Assembly, (3) spreaders, (2) large curved spreaders, and the small curved spreader to the Left Leg Assembly.



**STEP 2.** Use (8) 3" screws to attach the Right Leg Assembly to the Seat Assembly and spreaders.



**Congratulations on purchasing this Durawood Casual High Dining Chair or Casual High Dining Chair w/Arms. QUESTIONS REGARDING THIS PRODUCT? Call our customer service team, 252-758-0641.**

**RESIDENTIAL WARRANTY** - This quality product includes a FULL LIFETIME WARRANTY for RESIDENTIAL CUSTOMERS. In the unlikely event any splintering, rotting, cracking, peeling, chipping, insect infestation or other damage should ever occur, The Hammock Source will replace this furniture, at no charge to you. Note that an original sales receipt must accompany any returned product, along with a Return Authorization Number from Hammock Source customer service; call toll-free at 252-758-0641.

**CONTRACTOR WARRANTY** - CONTRACTORS receive a FULL 7-YEAR WARRANTY. Follow the same steps outlined above.