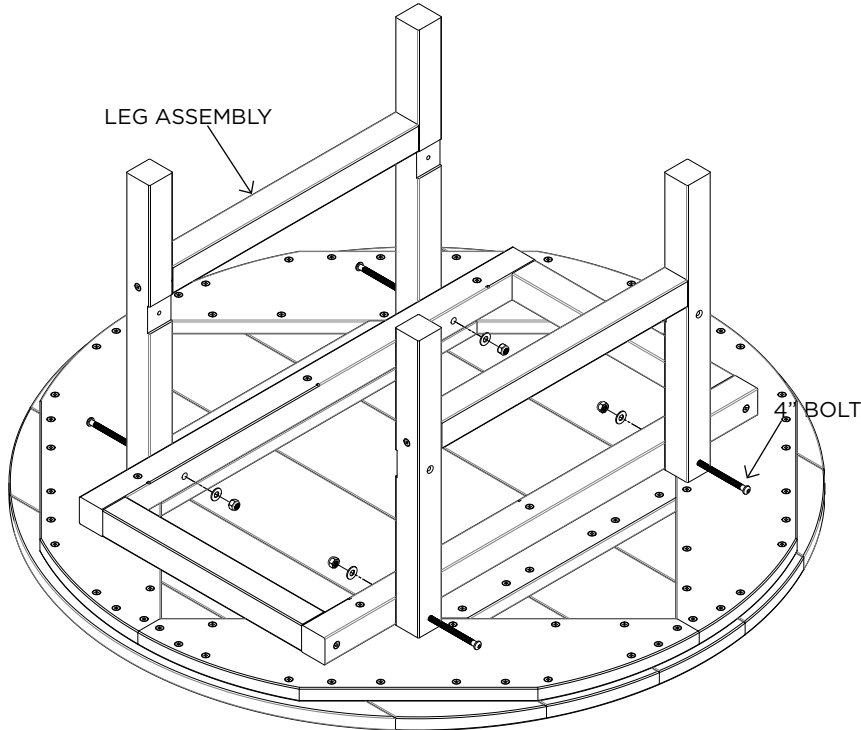
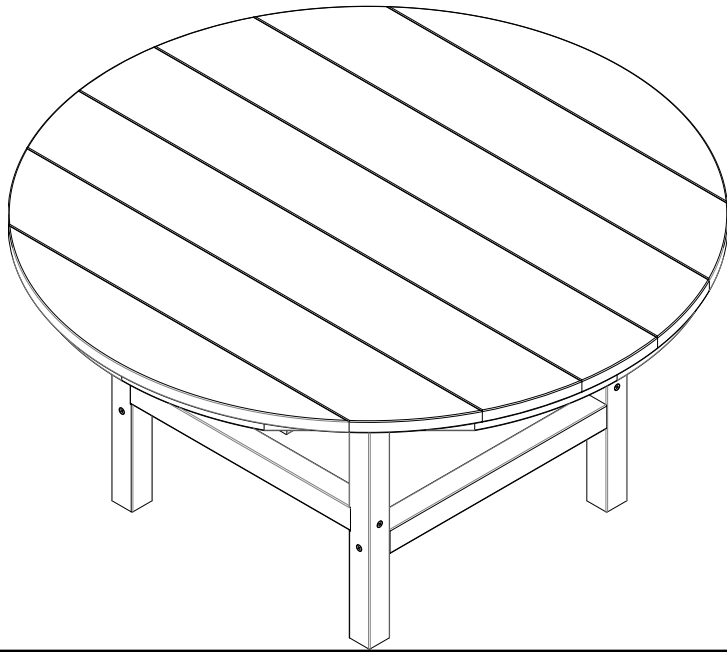


ROUND COFFEE TABLE INSTRUCTIONS



STAND PARTS

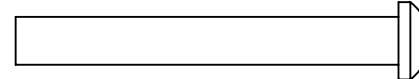
- (1) TABLETOP
- (2) LEG ASSEMBLIES
- (2) LEG SPREADERS

SUGGESTED TOOLS

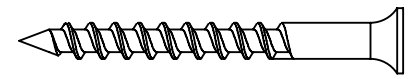
- ADJUSTABLE WRENCH (not included)
- STANDARD SCREW DRIVER (not included)
- DRILL (not included)
- ALLEN WRENCH (included)
- SQUARE HEAD DRILL BIT (included)
- CLAMP (not included; could assist with step 2)

HARDWARE PACK

Hardware Pack Weight : oz.

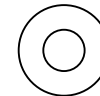


(4) 4" BOLTS



(4) 3" FLATHEAD SCREWS

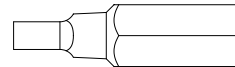
(4) FLAT WASHERS



(4) LOCK NUTS



(1) SQUARE HEAD DRILL BIT



(1) ALLEN WRENCH



ASSEMBLY

STEP 1. Use a protective piece of material to prevent scratching the table top, flip table top upside down on top of the protective material. Use (4) 4" Bolts, (4) Washers and (4) Lock Nuts to fasten both leg assemblies to the frame.

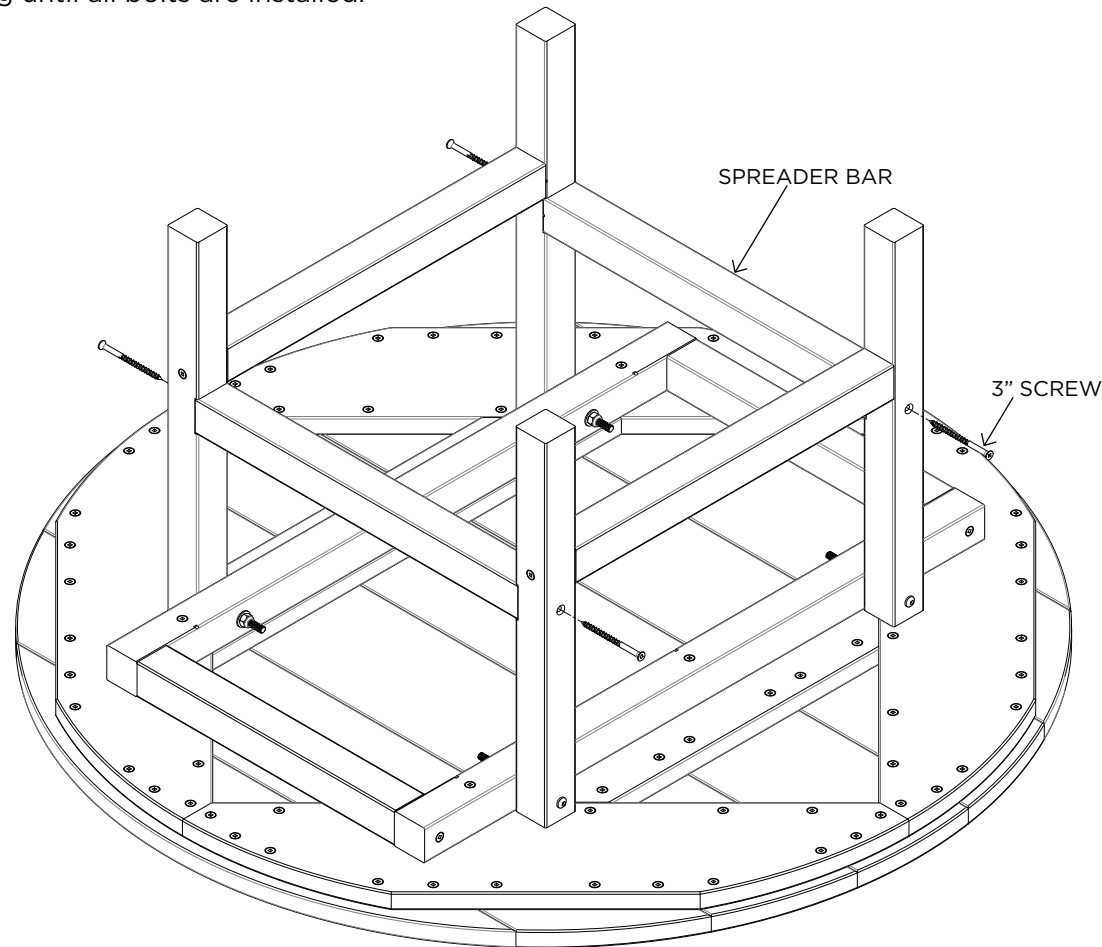
NOTE: LEAVE BOLTS LOOSE

ASSEMBLY

STEP 2. Slot leg spreaders into the locating pocket on the legs, slowly start a screw in each leg before fastening the spreader down so you can keep it aligned with the leg. Get all four screws started before fully fastening one down.

Tighten all bolts once all the spreaders are fastened down.

NOTE: Do not tighten anything until all bolts are installed.



Congratulations on purchasing this Durawood Round Coffee Table. QUESTIONS REGARDING THIS PRODUCT? Call our customer service team, 252-758-0641.

RESIDENTIAL WARRANTY - This quality product includes a LIMITED LIFETIME WARRANTY for RESIDENTIAL CUSTOMERS. In the unlikely event any splintering, rotting, cracking, peeling, or chipping should ever occur, The Hammock Source will supply replacement parts or replace the furniture, at no charge to you. This does not include negligence, improper use, animal damage or damage caused by natural disasters. When using around fire, keep furniture at a minimum distance of 30 inches from the heat source. Prevent prolonged exposure to chlorinated water. Note that an original sales receipt must accompany any returned product, along with a Return Authorization Number from Hammock Source customer service; call toll-free at 252-758-0641.

CONTRACTOR WARRANTY - CONTRACTORS receive a LIMITED 7-YEAR WARRANTY. Follow the same steps outlined above.

MAINTENANCE - Thoroughly inspect product before each use. Periodically check bolts after assembly and re-tighten when necessary.

