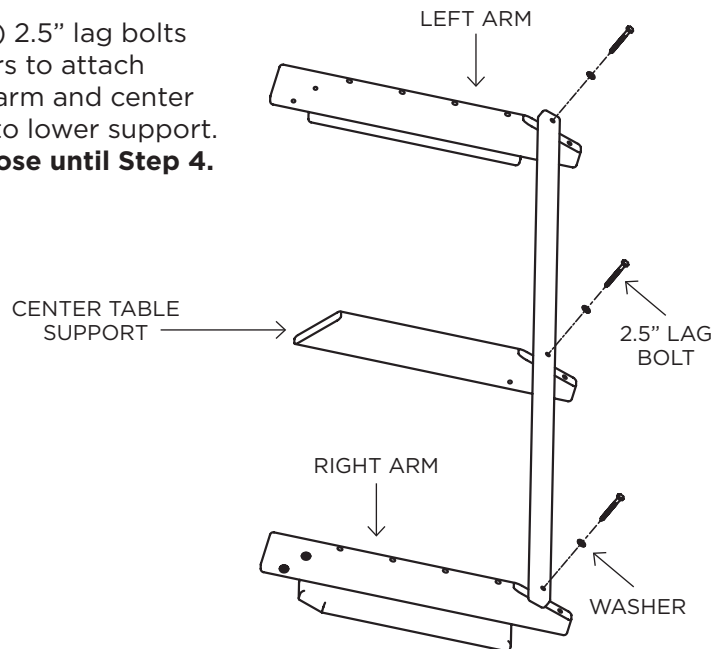




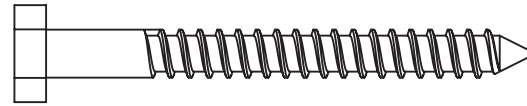
ORIGINAL CUMARU DELUXE DOUBLE PORCH SWING INSTRUCTIONS

ASSEMBLY

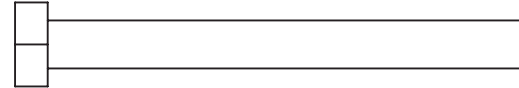
STEP 1. Use (3) 2.5" lag bolts and (3) washers to attach left arm, right arm and center table support to lower support. **Leave bolts loose until Step 4.**



HARDWARE PACK



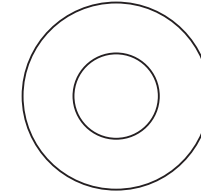
(2) 2.5" HEX LAGS



(4) 2.5" HEX BOLTS

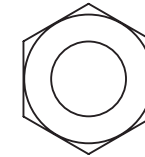
(2) CHAIN SETS

(Not pictured. Eye bolts, lock nuts and washers included on chain set.)



(10) WASHERS

(2) TREE HOOKS



(4) LOCK NUTS

CHAIR PARTS

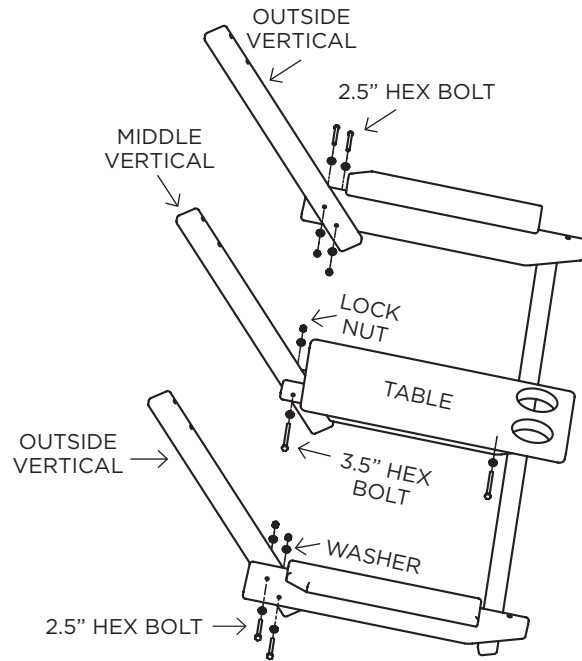
- LEFT ARM
- RIGHT ARM
- CENTER TABLE SUPPORT
- TABLE
- (2) OUTSIDE VERTICALS
- MIDDLE VERTICAL
- UPPER SEAT
- UPPER SUPPORT
- LOWER SUPPORT
- LOWER ROPE SEAT SUPPORT

SUGGESTED TOOLS

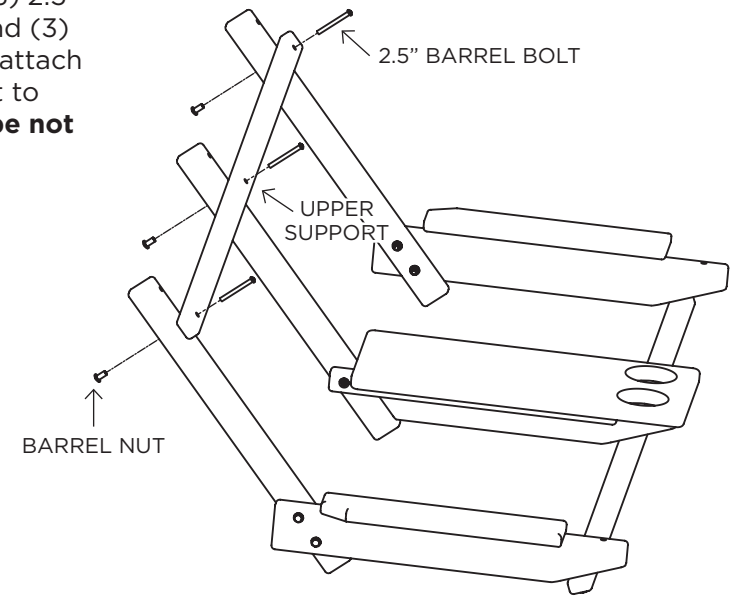
- MALLET
- 7/16" WRENCH
- 1/2" WRENCH

ASSEMBLY

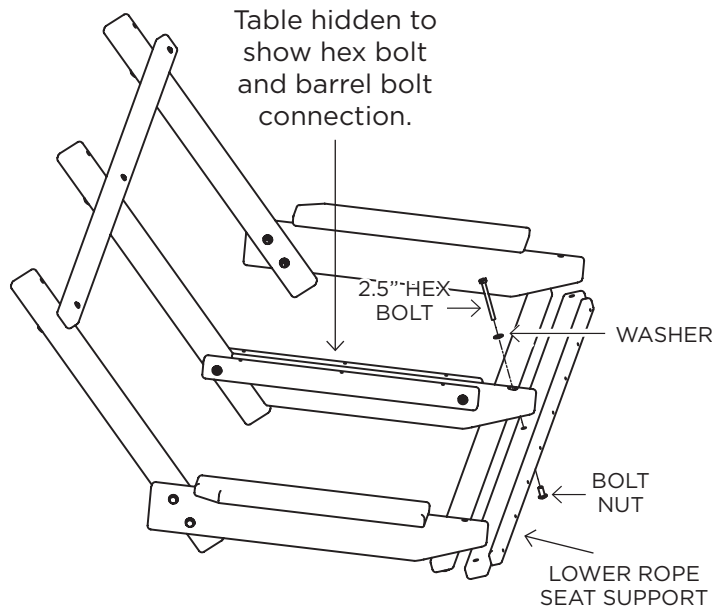
STEP 2. Use (4) 2.5" hex bolts, (8) washers and (4) lock nuts to attach (2) outside verticals to left and right arms. Use (2) 3.5" hex bolts, (4) washers and (2) lock nuts to attach table and middle vertical to center table support. **Leave bolts loose until Step 4.**



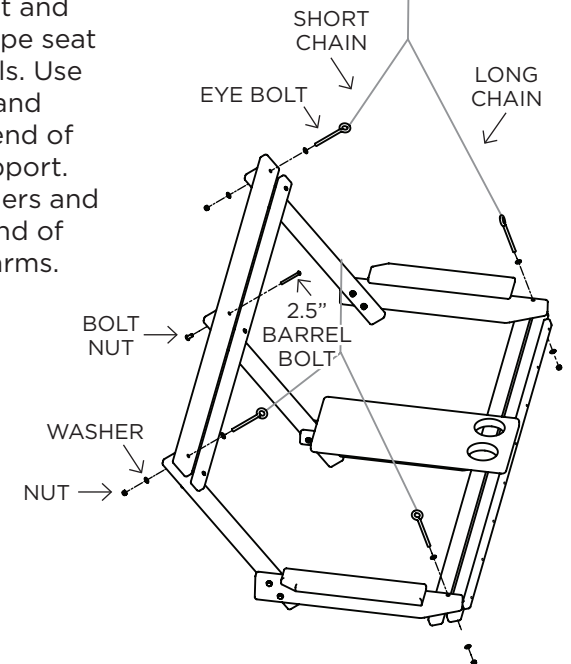
STEP 3. Use (3) 2.5" barrel bolts and (3) barrel nuts to attach upper support to verticals. **(Rope not pictured.)**



STEP 4. Use 2.5" hex bolt, washer and bolt nut to attach lower rope seat support to center table support. **Tighten all bolts. (Rope not pictured.)**



STEP 4. Use 2.5" barrel bolt and bolt nut to attach upper rope seat outside and middle verticals. Use (2) eye bolts, (4) washers and (2) nuts to attach shorter end of chain set to upper seat support. Use (2) eye bolts, (4) washers and (2) nuts to attach longer end of chain set to left and right arms. **(Rope not pictured.)**



Congratulations on purchasing this Original Cumaru Rope Porch Swing. QUESTIONS REGARDING THIS PRODUCT? Call our customer service team, 1-800-344-6433.

INSTALLATION - Install the ceiling hooks in the overhead support. The hooks should be approximately 5 feet apart. The supports can be ceiling joists, a sturdy limb, or a beam installed for the swing. A ready made stand or instructions to build one are available, please inquire. If the ceiling joists are not exposed, locate one using a stud finder. They are usually 16 to 25 inches apart. Once you find a suitable support, drill a 3/16" starter hole to screw the ceiling hooks into and tighten until the shank is no longer visible. Do not adjust the chains as they are properly connected and able to withstand approximately 500 lbs. of weight. We have replacement chain sets available for sale if needed.

MAINTENANCE - Sunwax Penetrating Wood Feeder™ is recommended as an added protection for wood from insects and weather. It is ideal for cumaru, revitalizes the look of older wood and helps maintain wood's original hue. To clean rope use soap, detergent or a mild bleach solution. Use a soft bristled scrub brush to work on any stains. Be sure to rinse the ropes thoroughly after cleaning.

WARRANTY & RETURNS - Nags Head Hammocks products are guaranteed to be free of defects in both workmanship and material. Prolonged exposure to weather conditions including snow, rain, and humidity are not covered under the warranty, nor is damaged caused by normal wear, mildew, or improper care, including storage, maintenance, and assembly. If you are not satisfied with an item, return it unused in its original packaging for a complete refund or exchange. You can return it to any of our stores or to our warehouse, Nags Head hammocks, 305 Industrial Blvd., Greenville, NC 27834. Please include a copy of your receipt and your contact information.