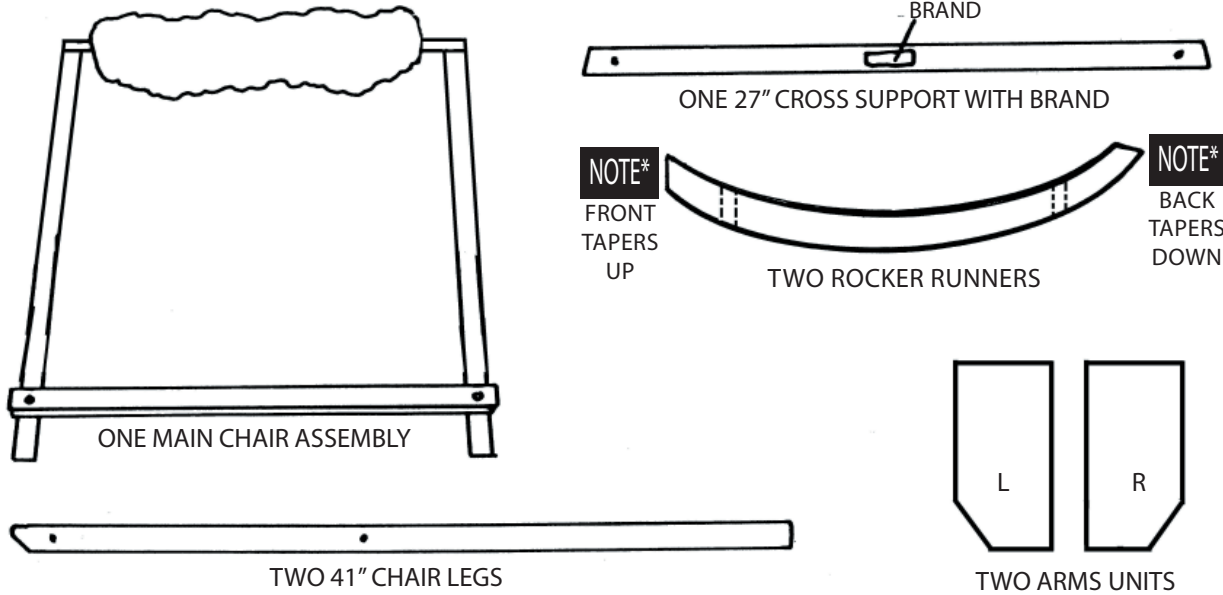
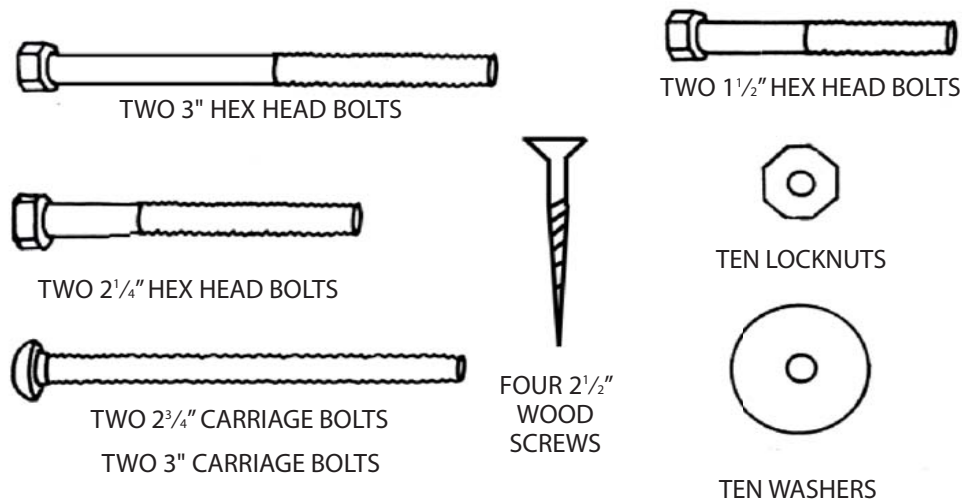


CHAIR PARTS INCLUDED



HARDWARE INCLUDED



TOOLS NEEDED

Two 7/16" Wrenches (2 pliers will suffice), One Mallet or Light Hammer, Phillips Head Screw Driver

HELPFUL HINTS:

★ Holes may need to be cleared of hardened varnish to ease assembly (may use nail, screwdriver, etc.)

ASSEMBLY:

1. Use a box or stack of books, to elevate front of chair frame, as shown, approximately 12 inches. Unroll rope body, and set branded 27" cross support aside.
- ★ Arms must be attached first, prior to chair assembly.
2. To attach arms, raise brackets above wooden frame. Put 1 1/2" bolt through bracket in same manner as bolt already in place. Insert bolt through bracket, insert through arm as shown, finish with washer and locknut.

★ Do not tighten securely until chair assembly is complete.

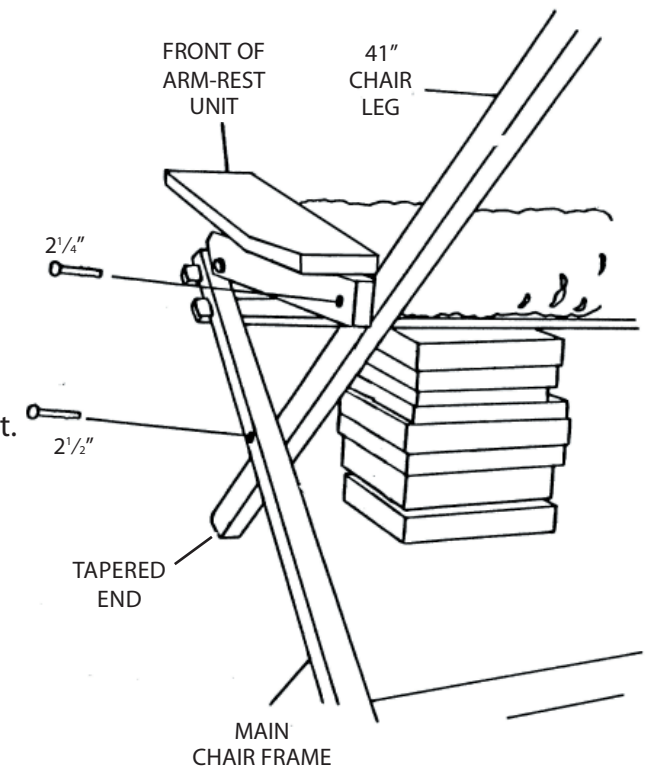
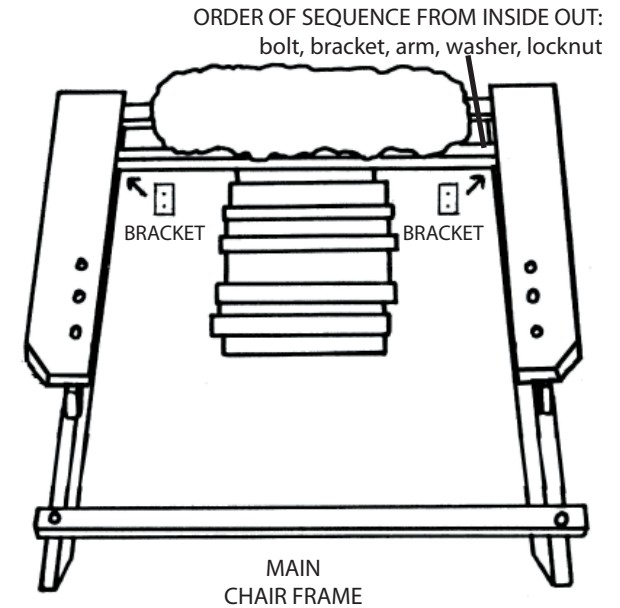
3. Take one 2 1/2" hex bolt and insert into one side of main chair frame as shown.
4. Take one 41" chair leg with tapered end on floor toward chair body and place on inside of frame.

★ Both bolts point inward towards center of chair.

5. Push 2 1/2" hex bolt into the lower hole of 41" chair leg. Finish with washer and locknut.
6. Take one 2 1/4" hex bolt and insert into rear hole of arm rest unit.
7. Gently raise arm rest unit until bolt lines up with upper hole in 41" chair leg.

★ Repeat process with other leg. Chair should be free standing at this point.

8. Take the rope seat and attach wood



bar to top of 41" chair legs using the 2³/₄" carriage bolts. Tap lightly with a mallet or light hammer. Finish with washer and locknut.

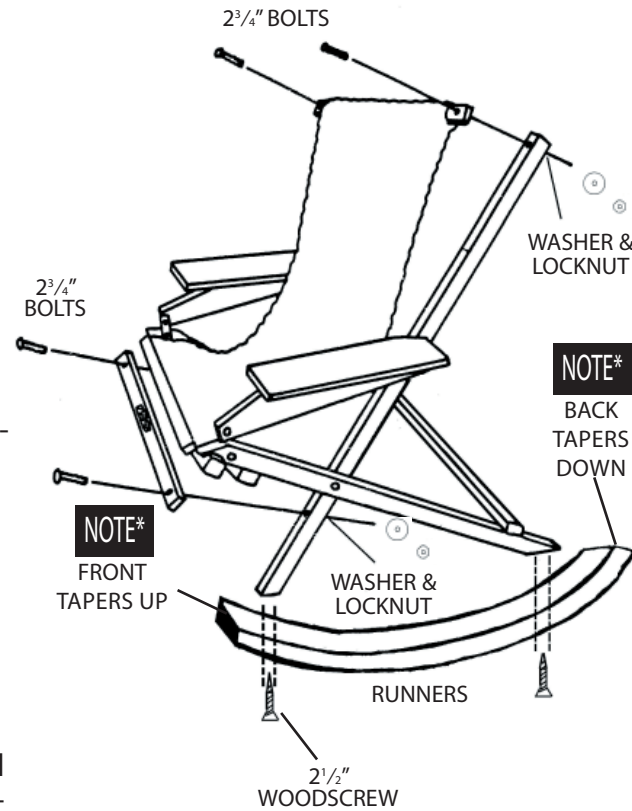
9. Attach 27" cross support (branded part) to bottom front of 41" chair legs in similar fashion.

★ Note: Locknuts on the four carriage bolts should be tightened securely - all other nuts should be loose.

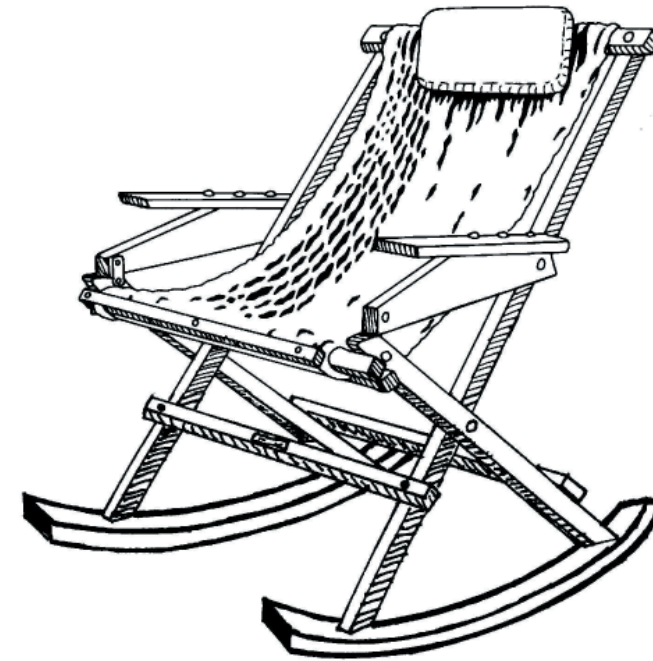
10. To attach the runners to the chair frame, insert one 2¹/₂" wood screw into each of the holes in the runners...next position the runners so that the holes in the runners with the screws in them line up with the predrilled holes in the end of the chair legs (see diagram).

★ Note: The front of the rocker runner tapers up, the back of the runner tapers down.

Insert the tip of the screw into the predrilled holes in the end of each of the legs, tighten each of the wood screws until the head of the screw is flush with the bottom of the runner. Tighten all nuts now.



CLASSIC ROCKER



Congratulations! You now own a Classic Rocker that was handcrafted in North Carolina by Nags Head Hammocks. We hope you will enjoy many years of comfort.

NAGS HEAD HAMMOCKS

P.O. Box 533
Nags Head, NC 27959
1-800-344-6433 • 252-441-6115
www.nagshead.com

PLEASE CALL 1-800-344-6433
MONDAY-FRIDAY
FOR ASSISTANCE WITH ASSEMBLY.

MAINTENANCE:

The rope seat is washable. Leave it on the frame and use a soft brush, liquid detergent and a garden hose. The pillow is also washable. Remove the foam, use a mild detergent and cold water, air dry. We recommend storing your chair out of the weather in the winter. This will prolong the life of the finish, hardware and overall appearance. Store in a dry and rodent free area. Excessive sunlight will affect the finish on the oak frame. To maintain a nice finish, periodically recoat the frame with a high quality polyurethane. Hint: Simply remove the retaining strips located behind the woven seat and slide the rope over to one side allowing you to apply finish. After the finish has dried, slide rope to other side of frame and repeat. When completed, rearrange the ropes evenly across frame and replace the wood strips.

Thank you and enjoy!