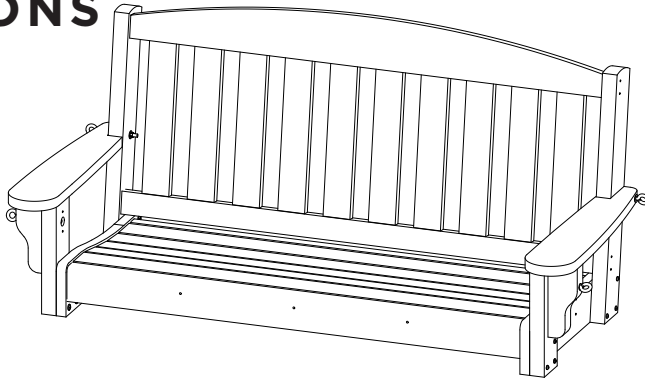




BENCH SWING INSTRUCTIONS

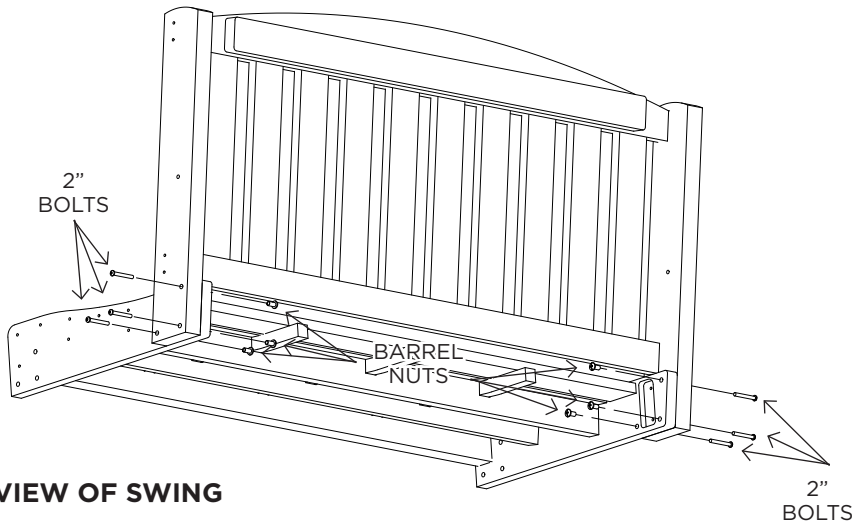


NOTE: CHAIN HIDDEN TO SHOW DETAIL OF SWING

ASSEMBLY

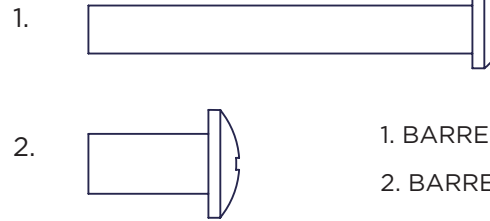
STEP 1. Use (6) 2" bolts and (6) barrel nuts to connect the back bench assembly to the seat bench assembly.

NOTE: Rear seat support beam is hidden to show assembly.



REAR VIEW OF SWING

HARDWARE PACK



1. BARREL BOLTS: (12) 2" Bolts
2. BARREL NUTS: (12)
3. Hex Key (Not Shown)

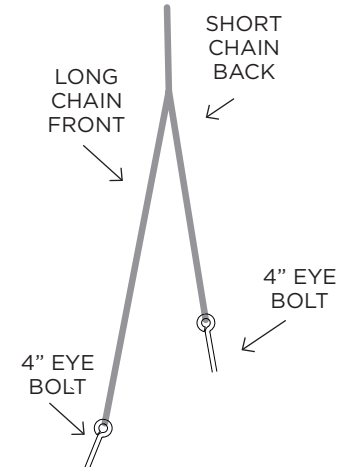
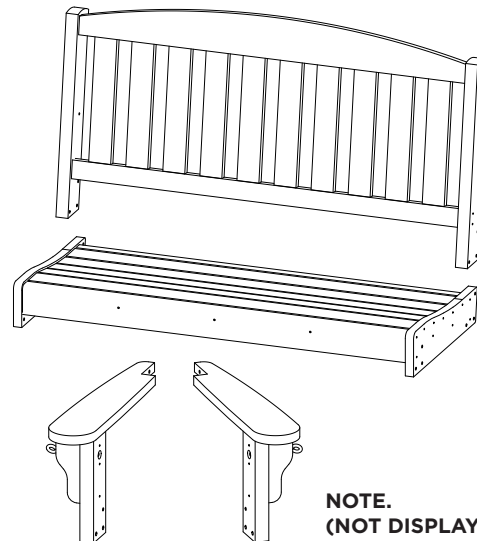
SUGGESTED TOOLS

- RUBBER MALLET
- PHILLIPS HEAD SCREWDRIVER
- DRILL
- 1/2" Wrench

CHAIR PARTS

- BACK BENCH ASSEMBLY
- SEAT BENCH ASSEMBLY
- RIGHT & LEFT ARM ASSEMBLY
- CHAIN ASSEMBLY & HARDWARE PACK

- CHAIN SETS: (2)
- Eye Bolts, nuts, and washers attached
- TREE HOOKS (2)

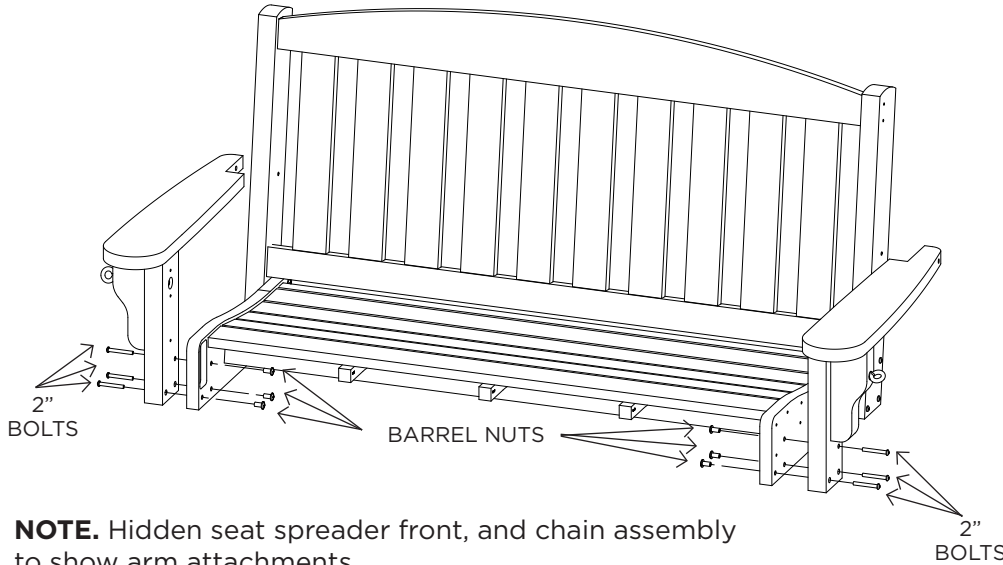


NOTE.
(NOT DISPLAYED) Chains come attached to arms

ASSEMBLY

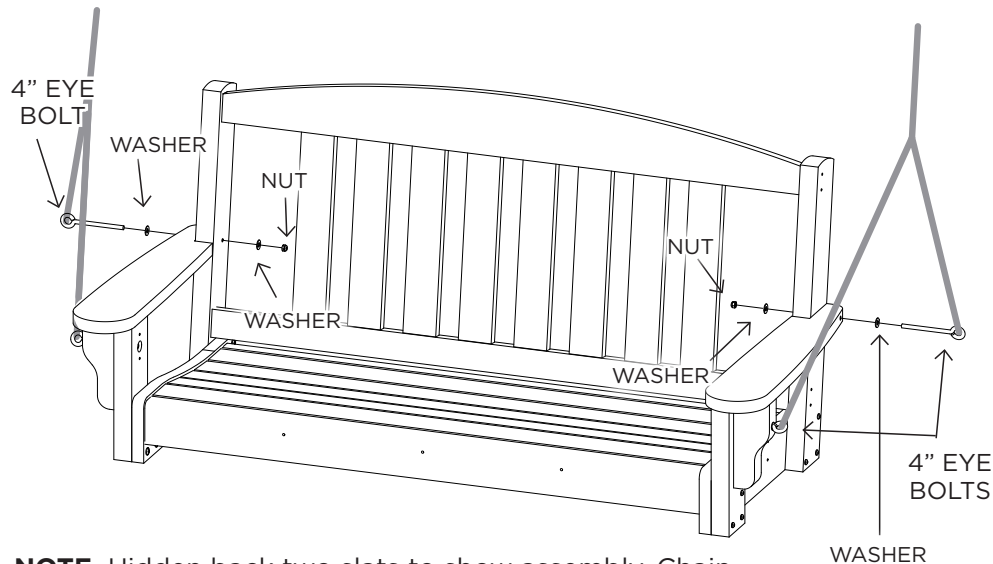
STEP 2. Use (6) 2" Bolts, and (6) Barrel Nuts to attach bottom of arms to bench.

NOTE. Chain assembly already attached to front of arms.



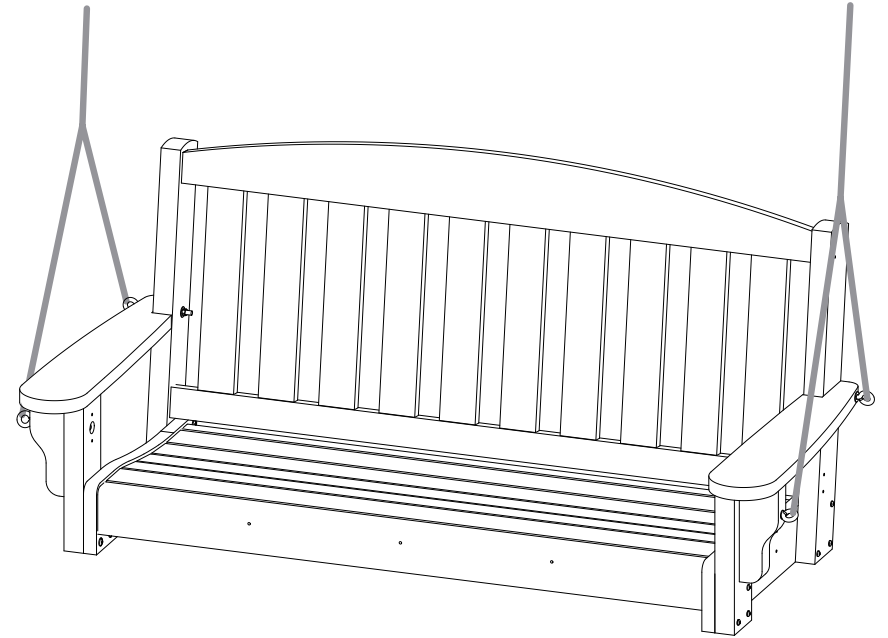
NOTE. Hidden seat spreader front, and chain assembly to show arm attachments.

STEP 3. Use (2) 4" Eye Bolts, (2) Nuts, and (4) Washers to attach chain set to back of arms and back of bench.



NOTE. Hidden back two slats to show assembly. Chain displayed upright for visibility, do not hang chain from ceiling mount until installation is complete.

STEP 4. Finished product. Hang chain from ceiling mounts.



Congratulations on purchasing this Bench Swing.

QUESTIONS REGARDING THIS PRODUCT? Call our customer service team, 1-800-344-6433.

INSTALLATION - Install the ceiling hooks in the overhead support. The hooks should be approximately 5 feet apart. The supports can be ceiling joists, a sturdy limb, or a beam installed for the swing. A ready made stand or instructions to build one are available, please inquire. If the ceiling joists are not exposed, locate one using a stud finder. They are usually 16 to 25 inches apart. Once you find a suitable support, drill a 3/16" starter hole to screw the ceiling hooks into and tighten until the shank is no longer visible. Do not adjust the chains as they are properly connected and able to withstand approximately 500 lbs. of weight. We have replacement chain sets available for sale if needed.

MAINTENANCE - Sunwax Penetrating Wood Feeder™ is recommended as an added protection for wood from insects and weather. It is ideal for cumaru, revitalizes the look of older wood and helps maintain wood's original hue. To clean rope use soap, detergent or a mild bleach solution. Use a soft bristled scrub brush to work on any stains. Be sure to rinse the ropes thoroughly after cleaning.

WARRANTY & RETURNS - Pawleys Island products are guaranteed to be free of defects in both workmanship and material. Prolonged exposure to weather conditions including snow, rain, and humidity are not covered under the warranty, nor is damaged caused by normal wear, mildew, or improper care, including storage, maintenance, and assembly. If you are not satisfied with an item, return it unused in its original packaging for a complete refund or exchange. You can return it to any of our stores or to our warehouse, Nags Head hammocks, 305 Industrial Blvd., Greenville, NC 27834. Please include a copy of your receipt and your contact information.