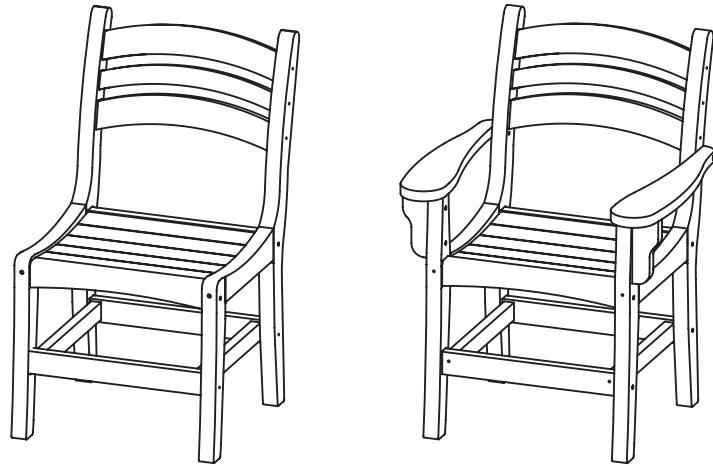


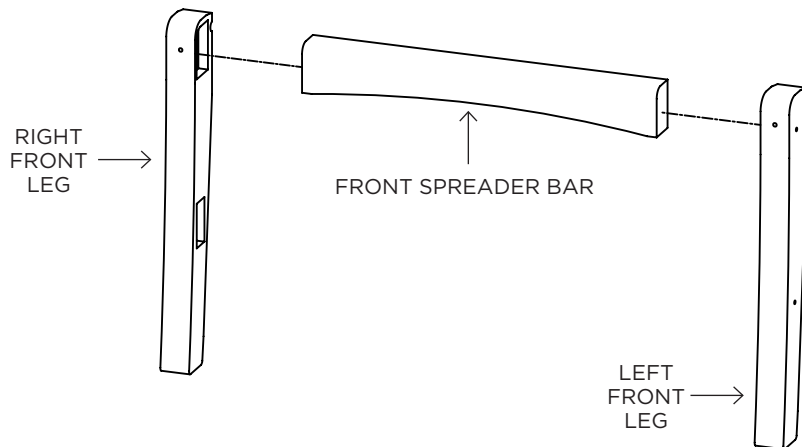


CASUAL DINING CHAIR & CASUAL DINING CHAIR W/ARMS INSTRUCTIONS



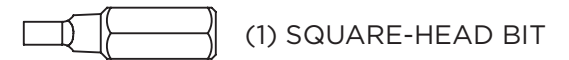
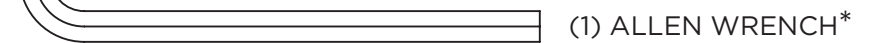
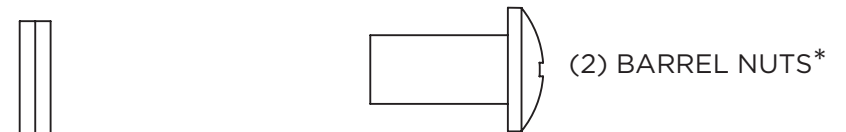
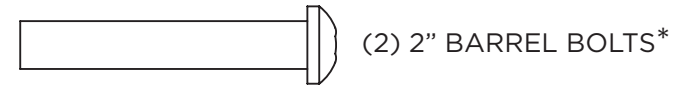
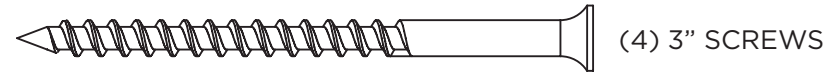
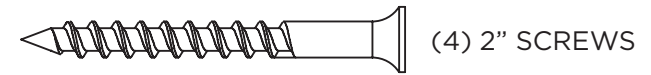
ASSEMBLY

STEP 1. Attach front spreader bar to left and right front legs.



HARDWARE PACK

DC1: Hardware Pack Weight: 3.5 oz. DCA1: Hardware Pack Weight: 6.5 oz.



*Only included in Casual Dining Chair w/Arms hardware pack.

CHAIR PARTS

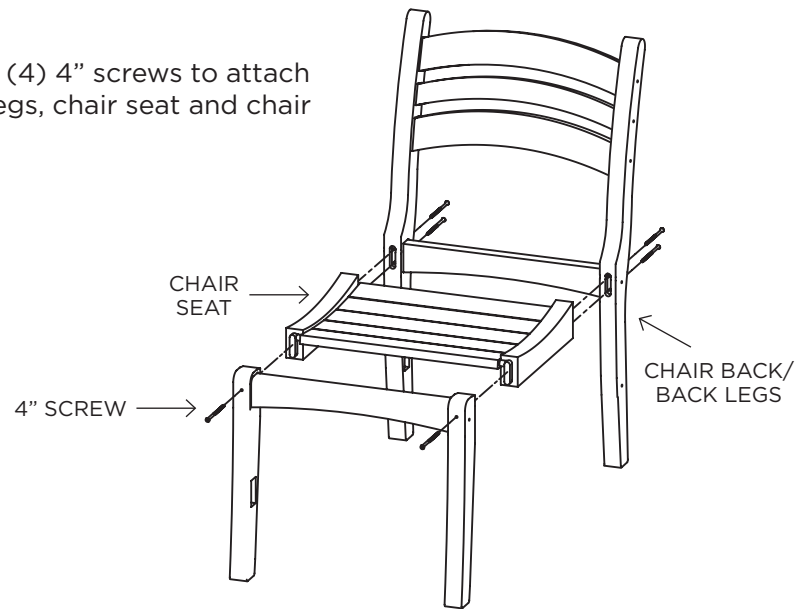
- CHAIR BACK/BACK LEGS
- CHAIR SEAT
- LEFT FRONT LEG
- RIGHT FRONT LEG
- FRONT SPREADER BAR
- LOWER FRAME
- LEFT CHAIR ARM
- RIGHT CHAIR ARM

SUGGESTED TOOLS

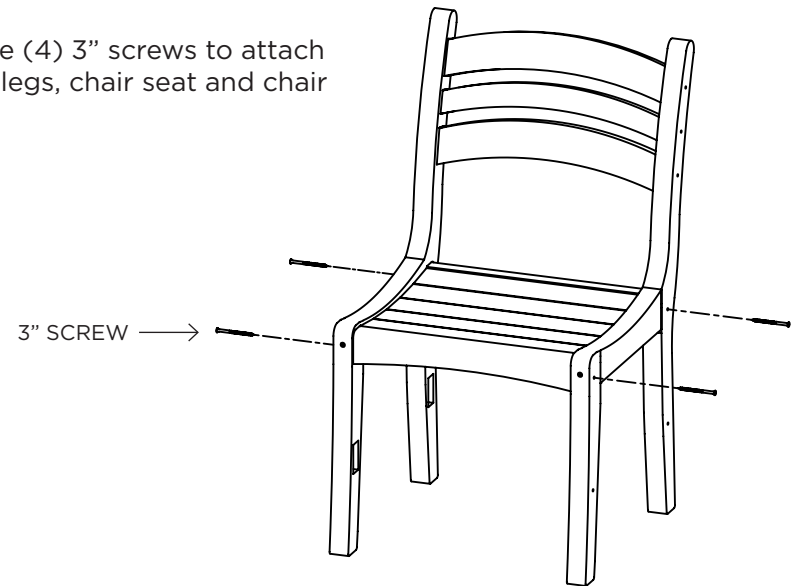
- RUBBER MALLET
- PHILLIPS HEAD SCREWDRIVER
- DRILL

ASSEMBLY

STEP 2. Use (4) 4" screws to attach front chair legs, chair seat and chair back.

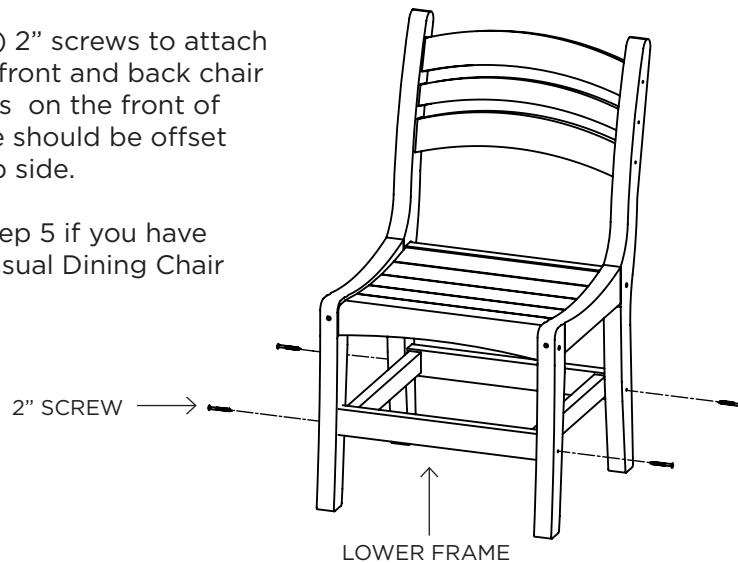


STEP 3. Use (4) 3" screws to attach front chair legs, chair seat and chair back.

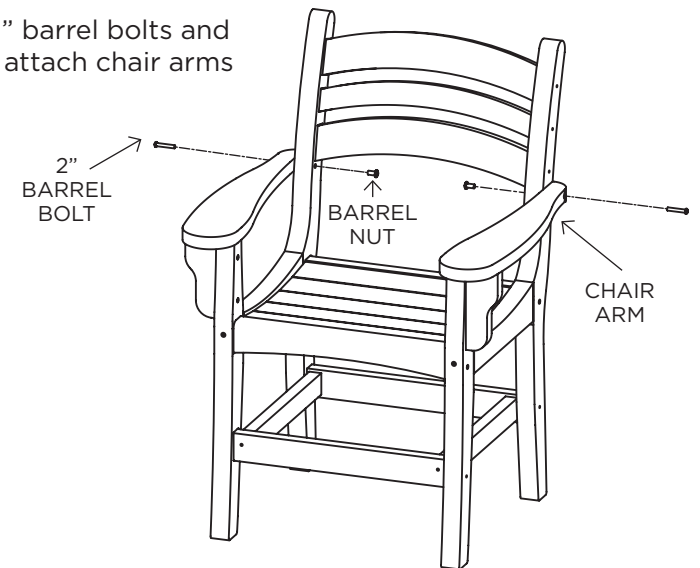


STEP 4. Use (4) 2" screws to attach lower frame to front and back chair legs. The screws on the front of the lower frame should be offset towards the top side.

(Continue to Step 5 if you have purchased a Casual Dining Chair w/Arms.)



STEP 5. Use (2) 2" barrel bolts and (2) barrel nuts to attach chair arms to chair back.



Congratulations on purchasing this Durawood Casual Dining Chair or Casual Dining Chair w/Arms. QUESTIONS REGARDING THIS PRODUCT? Call our customer service team, 800.643.3522.

RESIDENTIAL WARRANTY - This quality product includes a FULL LIFETIME WARRANTY for RESIDENTIAL CUSTOMERS. In the unlikely event any splintering, rotting, cracking, peeling, chipping, insect infestation or other damage should ever occur, The Hammock Source will replace this furniture, at no charge to you. Note that an original sales receipt must accompany any returned product, along with a Return Authorization Number from Hammock Source customer service; call toll-free at 800.643.3522.

CONTRACTOR WARRANTY - CONTRACTORS receive a FULL 7-YEAR WARRANTY. Follow the same steps outlined above.