

INSTALLATION :

Install the ceiling hooks in the overhead support. The hooks should be approximately 5 feet apart. The supports can be ceiling joists, a sturdy limb, or a beam installed for the swing. Ready made stands or instructions to build one are available, please inquire. If the ceiling joists are not exposed, locate one using a stud finder. They are usually 16 to 24 inches apart. Once you find a suitable support, drill a 3/16" starter hole to screw the ceiling hooks into and tighten until the shank is no longer visible. Do not adjust the chains as they are properly connected and able to withstand approximately 500 lbs. of weight. We have replacement chain sets available for sale if replacement needed.

MAINTENANCE :

The rope body of your Bent Oak Rocker is hand woven. If the weave of the rope body is pulled out of shape, you can brush or adjust it into shape with your hands. To keep your bent oak swing in good condition, it is very important to consistently check the varnish for weather damage. The wood frame should be periodically refinished using a high quality polyurethane varnish. For complete instructions on refinishing your swing, please visit www.nagshead.com/care.asp, or give us a call. To wash the rope seat, you can either leave the ropes attached to the chair or remove them. **Before removing the ropes from the wooden bars, slide guide ropes through the topmost and bottommost row of loops, and tie them off.** You will need OxiClean or laundry detergent and a soft scrub brush. To begin cleaning, wet the rope and apply the detergent. Additionally, you may use a very mild bleach solution, but be sure to rinse the ropes thoroughly afterwards. Take a handful of rope in each hand and rub the pieces together; using the soft-bristled scrub brush to work on any stains. Once you've cleaned all of the rope, rinse it thoroughly. If you have removed the rope from the chair, arrange it on a flat surface to air-dry so that the rope does not stretch.

If you have any questions about maintaining your chair, please give us a call at 1-800-344-6433 or 252-441-6115

WARRANTY AND RETURNS :

Nags Head Hammocks products are guaranteed to be free of defects in both workmanship and material. Prolonged exposure to weather conditions including snow, rain, and humidity are not covered under the warranty, nor is damage caused by normal wear, mildew, or improper care, including storage, maintenance, and assembly. If you are not satisfied with an item, return it unused in its original packaging for a complete refund or exchange. You can return it to any of our stores or to our warehouse, Nags Head Hammocks, 305 Industrial Blvd., Greenville, NC 27834. Please include a copy of your receipt and your contact information.

Instruction #: 5065NH, 0G.11

DELUXE BENT OAK PORCH SWING



Congratulations! You now own a Deluxe Bent Oak Porch Swing that was handcrafted in North Carolina by Nags Head Hammocks. We hope you will have many years of comfort and enjoyment. If you have any questions, please feel free to contact us. Relax! It's a Nags Head Hammock original.

P.O. Box 533
Nags Head, NC 27959
1-800-344-6433 • 252-441-6115
www.nagshead.com

PARTS LIST :

1 Roll-Up Unit : The “top” bar of the roll-up features a thin wooden strip with brass tacks. The “bottom” bar has a thicker wooden strip attached with screws.

1 Chain Set : Chains come with eyebolts, nuts and washers attached. The longest piece of chain will attach to the front/bottom of the swing, and the shortest piece of chain will attach to the top/back of the swing.

2 Laminated Curved Arm Units

1 Laminated Curved Rail (“J”-Piece)

1 Center Table Unit

3 Loose Bars

1 Hardware Pack Contains:	
(1) Instruction Sheet	(15) Washers
(5) 2.5” Carriage Bolts	(8) Lock Washers
(1) 2.25” Hex Head Bolt	(10) Nuts
(3) 4” Hex Head Bolts	
(1) 4.5” Hex Head Bolt	

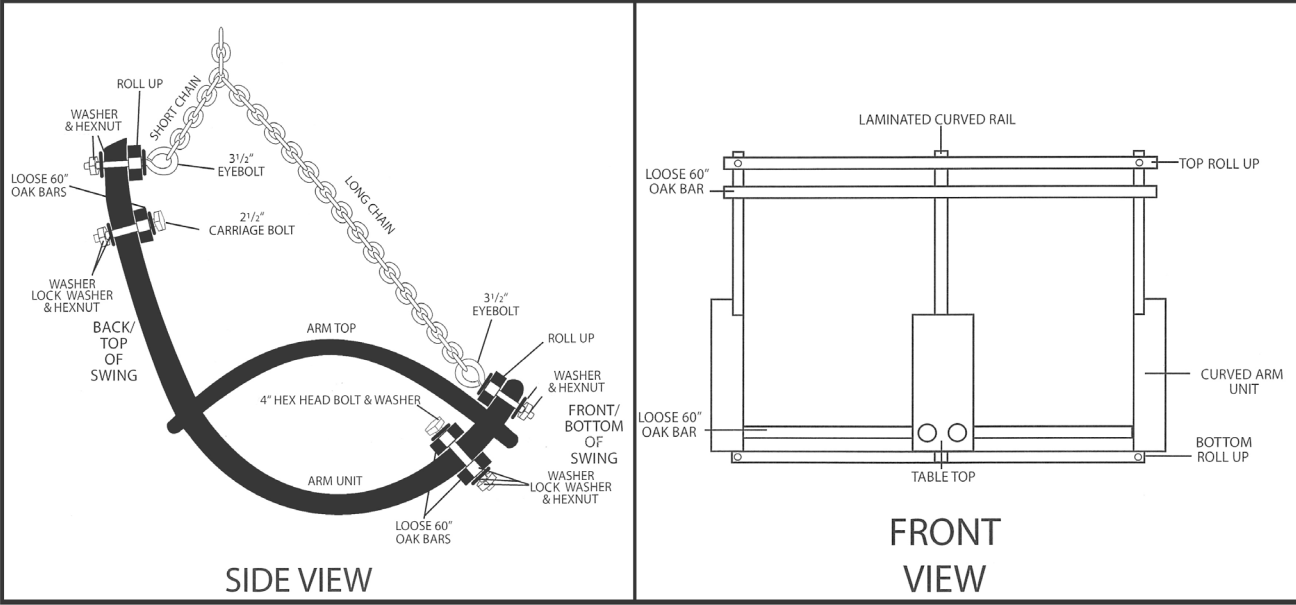
You Will Need : Two 7/16” wrenches and a mallet or hammer

Tips for Assembly :

Tip 1: Do not tighten bolts completely until fully assembled

Tip 2: For a more uniform look, face all bolts in the same direction

DIAGRAM :



ASSEMBLY :

Step 1 : Set arms upright on the floor about 60” apart. If sitting in the swing, the branded arm will be on the right hand side.

Step 2 : Take a loose bar and insert a 4” hex head bolt through a washer before pushing it through one of the holes at the end of the bar . Position this bar inside of the arm unit, put the end of the bolt in the hole, and then push the loose bar flush with the arm unit before pushing the bolt through. Take a second loose bar and attach it to the underside of the arm unit where the bolt is sticking out. Attach with washer, lockwasher, and nut (See SIDE VIEW diagram). Repeat on the other side.

Step 3 : Take the laminated rail (“J”-Piece) and place it half way between the arm units. Position the end to fit between the two loose bars at the front of the swing. Line up the holes and connect the three pieces together with a 4” hex head bolt, secure on the other side with a washer, lockwasher, and nut.

Step 4 : Take the remaining loose bar and attach it to the lowest set of holes at the top of the arm units and center “J” piece, using 2.5” carriage bolts. Secure with washers, lockwashers, and nuts.

Step 5 : Arrange the chain sets so that the long piece faces the front of the swing, and the short piece faces the back. Be sure chains are completely untwisted.

Step 6 : Attach ‘top’ bar of the roll-up directly above the loose bar at the top of the swing using the eyebolt found on the ‘short’ chain piece. The wooden strip with brass tacks should face the back of the swing. (See sideview diagram).

Step 7 : Attach the ‘bottom’ bar of the roll up unit to the front of the swing using the eyebolt on the ‘long’ chain piece (See sideview diagram). Attach the center of the ‘J’ piece to the bottom of the roll-up unit with a 2.5” carriage bolt.

Step 8 : Push the remaining 2.5” carriage bolt through the middle of the top roll-up piece and ‘J’ piece. Secure with a washer, lockwasher, and nut.

Step 9 : Look underneath the table top – the end with the metal plate faces front. Align the holes in the back of the table assembly with the hole in the side of the ‘J’ piece. Place the 4.5” hex head bolt through a washer before pushing through the wood. Secure with a washer, lockwasher, and nut.

Step 10: Lift the center table up and turn the metal piece so it points downward. Drop the table top and align the metal plate with the hole in side of the ‘J’ piece. Attach with a 2.25” hex head bolt. Note: The bolt will fit snugly through the metal plate. Secure with washer and nut.

Step 11: Tighten all nuts.