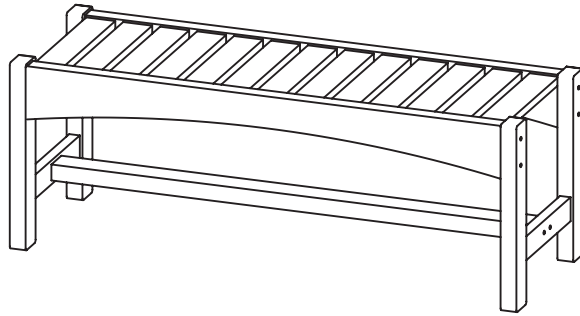
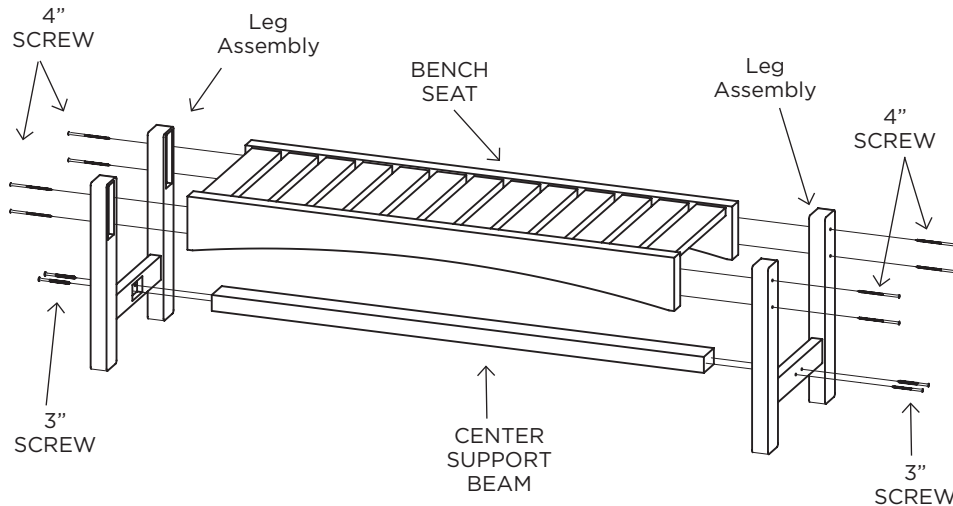


# CLASSIC DINING BENCH INSTRUCTIONS



## ASSEMBLY

**STEP 1.** Use (8) 4" screws to connect the front and rear legs. Use (4) 3" screws to connect the center support beam.



## HARDWARE PACK



(8) 4" SCREWS



(4) 3" SCREWS

## CHAIR PARTS

- BENCH SEAT
- LEG ASSEMBLIES
- CENTER SUPPORT BEAM

## SUGGESTED TOOLS

- RUBBER MALLET
- PHILLIPS HEAD SCREWDRIVER
- DRILL

**Congratulations on purchasing this Classic Dining Bench. QUESTIONS REGARDING THIS PRODUCT? Call our customer service team, 800.643.3522.**

**RESIDENTIAL WARRANTY** - This quality product includes a FULL LIFETIME WARRANTY for RESIDENTIAL CUSTOMERS. In the unlikely event any splintering, rotting, cracking, peeling, chipping, insect infestation or other damage should ever occur, The Hammock Source will replace this furniture, at no charge to you. Note that an original sales receipt must accompany any returned product, along with a Return Authorization Number from Hammock Source customer service; call toll-free at 800.643.3522.

**CONTRACTOR WARRANTY** - CONTRACTORS receive a FULL 7-YEAR WARRANTY. Follow the same steps outlined above.