

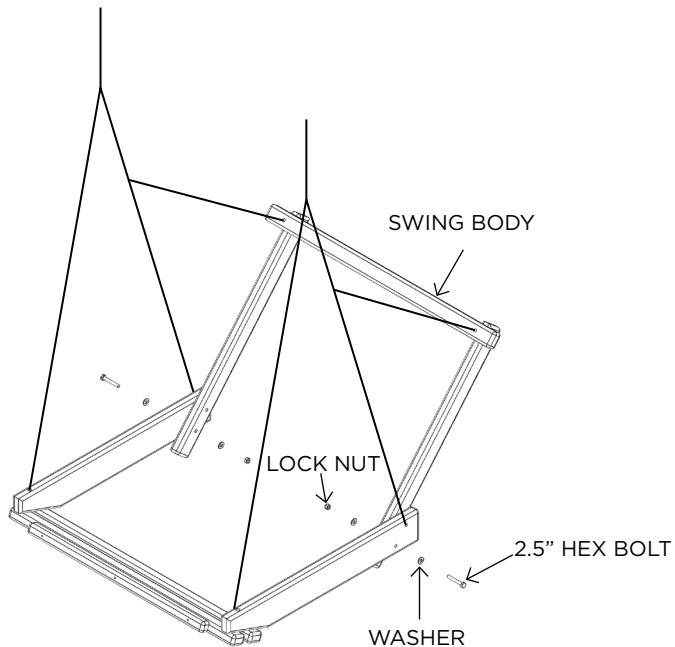
CUMARU HANGING HAMMOCK CHAIR INSTRUCTIONS



*Pillow Not Included

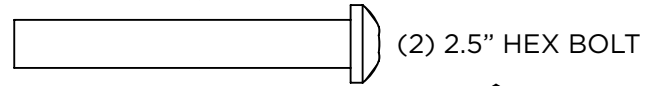
ASSEMBLY

STEP 1. Use (2) 2.5" hex bolts, (4) washers and (2) lock nuts secure swing body.

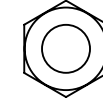


HARDWARE PACK

Hardware Pack Weight: 1 lb 4.2 oz.

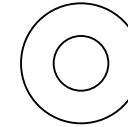


• (1) EXTENSION CHAIN



(2) LOCK NUTS

• (1) QUICK LINK



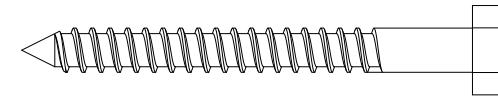
(4) WASHERS

MOUNTING PACK

• (1) MOUNTING BRACKET

• (1) S HOOK

• (2) 2.5" LAG BOLT



SWING PARTS

• SWING BODY

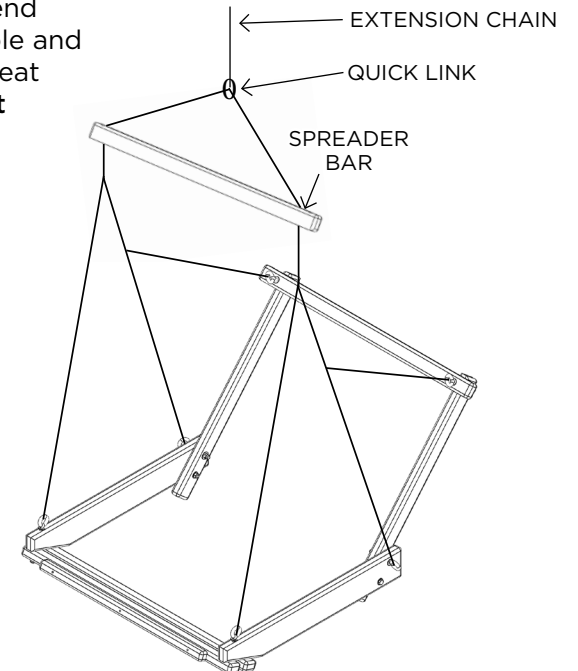
• SPREADER BAR

SUGGESTED TOOLS

• MALLET

• 7/16" WRENCH

STEP 2. Run remaining end through spreader bar hole and attach to quick link. Repeat for other side. **(Rope not pictured.)**



Congratulations on purchasing this Original Cumaru Captain's Chair. QUESTIONS REGARDING THIS PRODUCT? Call our customer service team, 252-295-0405.

MAINTENANCE - Sunwax Penetrating Wood Feeder™ is recommended as an added protection for wood from insects and weather. It is ideal for cumaru, revitalizes the look of older wood and helps maintain wood's original hue. To clean rope use soap, detergent or a mild bleach solution. Use a soft bristled scrub brush to work on any stains. Be sure to rinse the ropes thoroughly after cleaning.

Thoroughly inspect product before each use. Periodically check bolts after assembly and re-tighten when necessary.

WARRANTY & RETURNS - Nags Head Hammocks products are guaranteed to be free of defects in both workmanship and material for up to one year from the date of purchase. Prolonged exposure to weather conditions including snow, rain, and humidity are not covered under the warranty, nor is damage caused by negligence, normal wear, mildew, or improper care, including storage, maintenance, and assembly. If you are not satisfied with an item, return it unused in its original packaging for a complete refund or exchange. You can return it to any of our stores or to our warehouse, Nags Head hammocks, 305 Industrial Blvd., Greenville, NC 27834. Note that an original sales receipt must accompany any returned product, along with a Return Authorization Number from Nags Head Hammocks customer service; call (252) 295-0405.

HANGING YOUR SWING FROM A WOODEN BEAM

STEP 1. Choose a hanging location for your swing 6.5-8.5 feet above ground/floor level that will safely support 350 pounds. Note that hanging it much higher will require additional hardware not included with the swing.



The hanging bracket should ONLY be used with wood; it's NOT safe or approved for use with concrete or steel surfaces, plastic construction, particle board or other composite material, or vinyl siding. For installing in any other surface but wood, consult a building expert for advice on proper installation, including questions about weight capacity of a potential installation surface. Hatteras Hammocks is not responsible for improper installation.

STEP 2. Position the hanging bracket along the center of your chosen wood beam. Mark drill holes on the beam using a pencil through the bracket's two bolt holes.

STEP 3. Drill approximately 2.5 inches deep at the spots marked through the bolt holes.

STEP 4. Fit the narrow end of the S-Hook onto the hanging bracket BEFORE bracket installation; the S-Hook will NOT fit onto the bracket once the bracket is installed. Next, position the bracket holes over the drill holes, and install the two bolts by hand. Tighten the bolts with a 7/16" wrench or socket, or adjustable wrench. Do not over tighten, as bolts can strip the wood, compromising the swing's weight capacity.

STEP 5. To now hang your swing, hook one link of the Extension Chain to the bottom of the S-Hook on the Hanging Bracket Assembly.

STEP 6. When sitting in your swing, your feet should touch the ground with your knees slightly bent. Fine-adjust the height of your swing by changing the link of Extension Chain you use for hanging.

