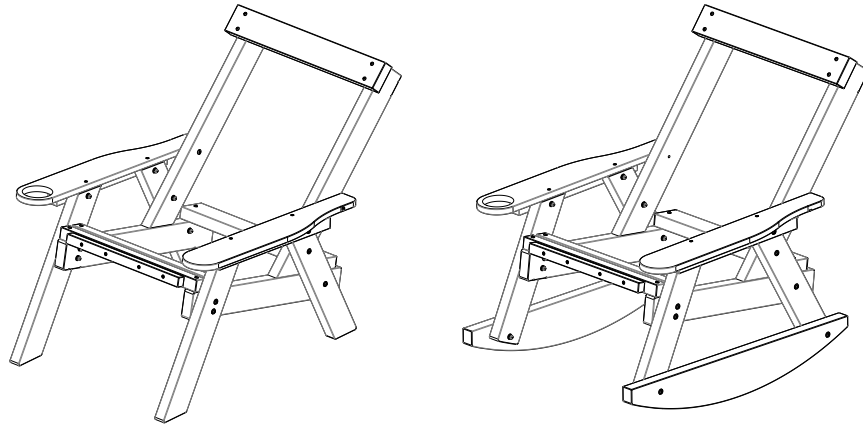


SINGLE ROPE CHAIR/ROCKER INSTRUCTIONS

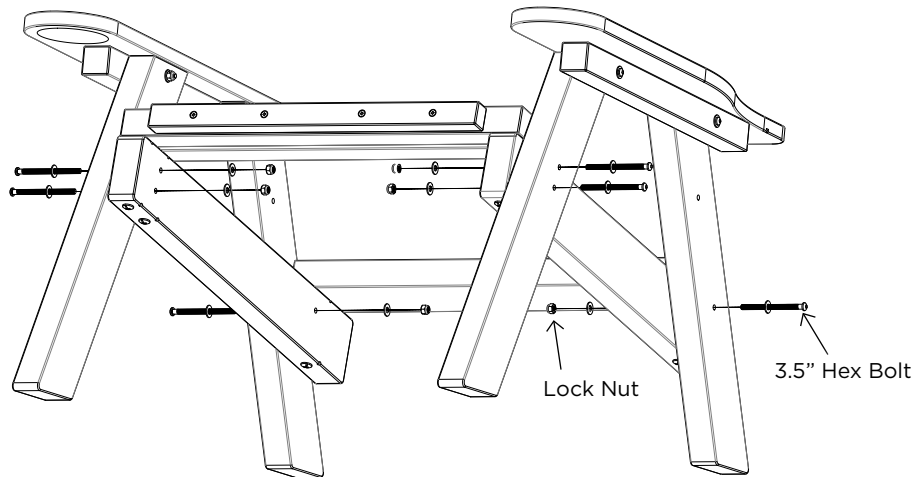


NOTE. Instructions not to scale.

ASSEMBLY

STEP 1. Start by setting roll-up with left side facing up. Align left arm with 3 holes as shown. Attach left arm using 3.5" Hex Bolt, with 1 washer per side, secure with lock washer and repeat for right side.

NOTE. Do **not** tighten bolts until Step 3, (4 for rocker).



HARDWARE PACK



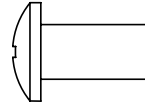
(4) 4.5" Barrel Bolts



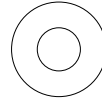
(2) 4" Barrel Bolts



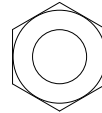
(8) 3.5" Hex Bolts



(6) 1" Barrel Nuts



(16) Washers



(8) Lock nuts

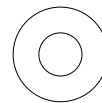


(1) Allen Wrench

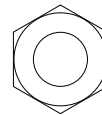
ROCKER HARDWARE PACK



(4) 3.5" Hex Bolts



(8) Washers



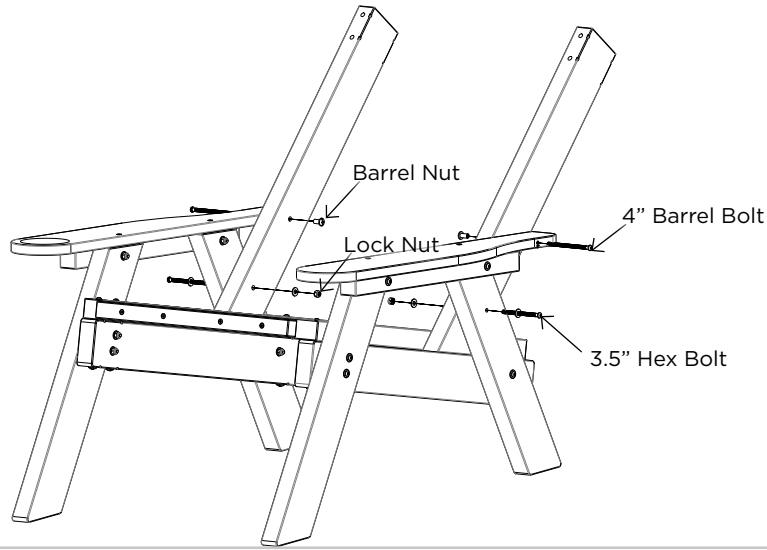
(4) Lock nuts

SUGGESTED TOOLS

- Rubber Mallet
- Adjustable Wrench
- Phillips Head Screwdriver

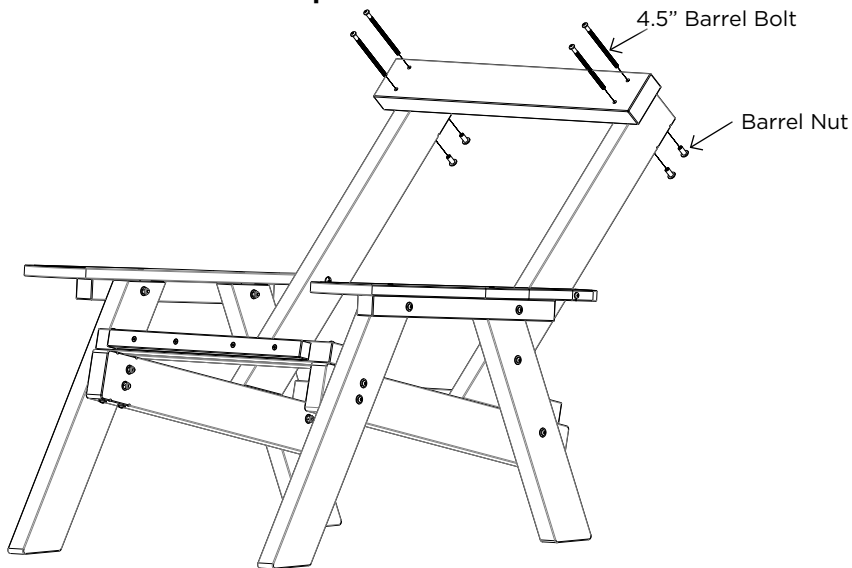
ASSEMBLY

STEP 2. Set upright, move roll-up forward. Starting with left upright, secure in hole as shown with a 3.5" Hex Bolt with a washer on each side of the material and secure with a lock nut. Rotate upright to align with arm hole and secure using a 4" Barrel Bolt. Repeat for the right side.



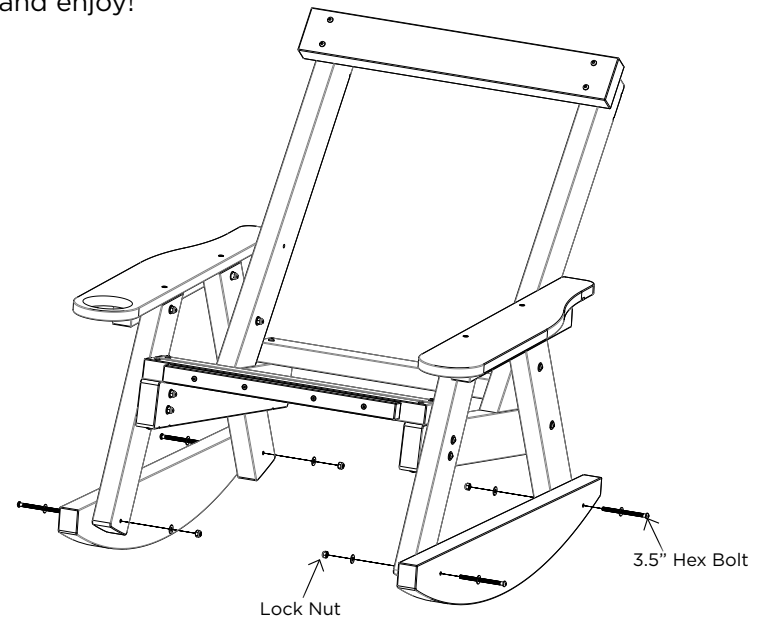
STEP 3. Insert (4) 4.5" Barrel Bolts, 2 per side in top hole of roll-up. Align with top holes in upright. Secure roll-up using Barrel Bolts and Barrel Nuts. Tighten all bolts, insert cup holder and enjoy!

Note : Rocker continues to step 4



If you have purchased the Single Rope Rocker, continue with the following steps.

STEP 4. Turn rocker on side with left side facing up. Align runner, small end facing forward with holes at base of rocker legs. Secure using (2) 3.5" Hex Bolts, 1 washer per side of runner and lock nut in front - one per hole. Repeat for right side, only turning rocker so that the right side is up as you complete the step. Tighten all bolts, insert cup holder, turn the rocker upright and enjoy!



Congratulations on purchasing this Original Nag's Head Single Rope Chair/Rocker. QUESTIONS REGARDING THIS PRODUCT? Call our customer service team, 252-295-0405.

INSTALLATION - Get somebody to help you, some pieces are heavy and a second pair of hands is always helpful. Do not tighten bolts until the product is fully assembled. Some pieces are harder to fit in place and this will help. A hammer or rubber mallet is needed during assembly. Do not over-tighten the bolts or screws. Build your item close to where it will be used to eliminate difficulty in moving once completed. For a uniform look, face all nuts in the same direction.

MAINTENANCE - Great care has been put into manufacturing this item. However, it is made of high density resin and some natural aesthetic imperfections and dark spots are normal and should be expected. You can wash the wood and the rope using a hose and some bleach water. You can also brush the wood to help remove dirt.

Thoroughly inspect product before each use. Periodically check bolts after assembly and re-tighten when necessary.

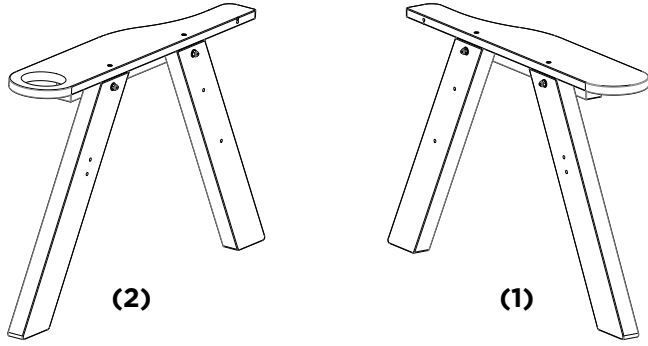
WARRANTY & RETURNS - Our Coastal Collections products are guaranteed to be free of defects in both workmanship and material. The Durawood Frame is backed by a limited lifetime warranty. In the unlikely event that any splintering, rotting, cracking, peeling, or chipping should ever occur on The Hammock Source will supply replacement parts, at no charge to you. This does not include negligence, improper use, animal damage or damage caused by natural disasters. Our Duracord Rope components are guaranteed free of defects in workmanship and materials for up to one year from the date of purchase. Prolonged exposure of the rope components to weather conditions including snow, rain, and humidity are not covered under the warranty, nor is damage caused by normal wear, mildew, or improper care, including storage, maintenance, and assembly. When using around fire, keep furniture at a minimum distance of 30 inches from the heat source. Prevent prolonged exposure to chlorinated water. Note that an original sales receipt must accompany any returned product, along with a Return Authorization Number from Nags Head Hammocks customer service; call (252) 295-0405.

BOX/PARTS BREAKDOWN

Note: Chair Legs Shown, Rocker legs are slightly different at the bottom

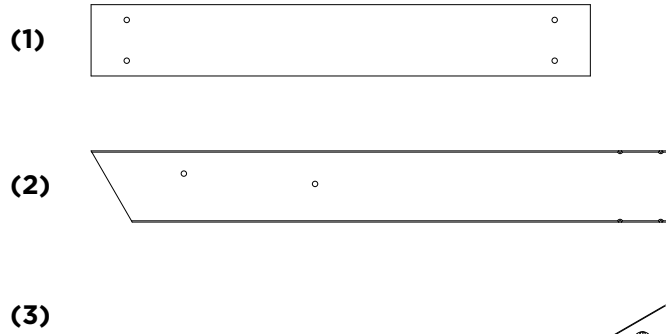
ARM BOX:

- (1) Left Arm Assembly
- (2) Right Arm Assembly



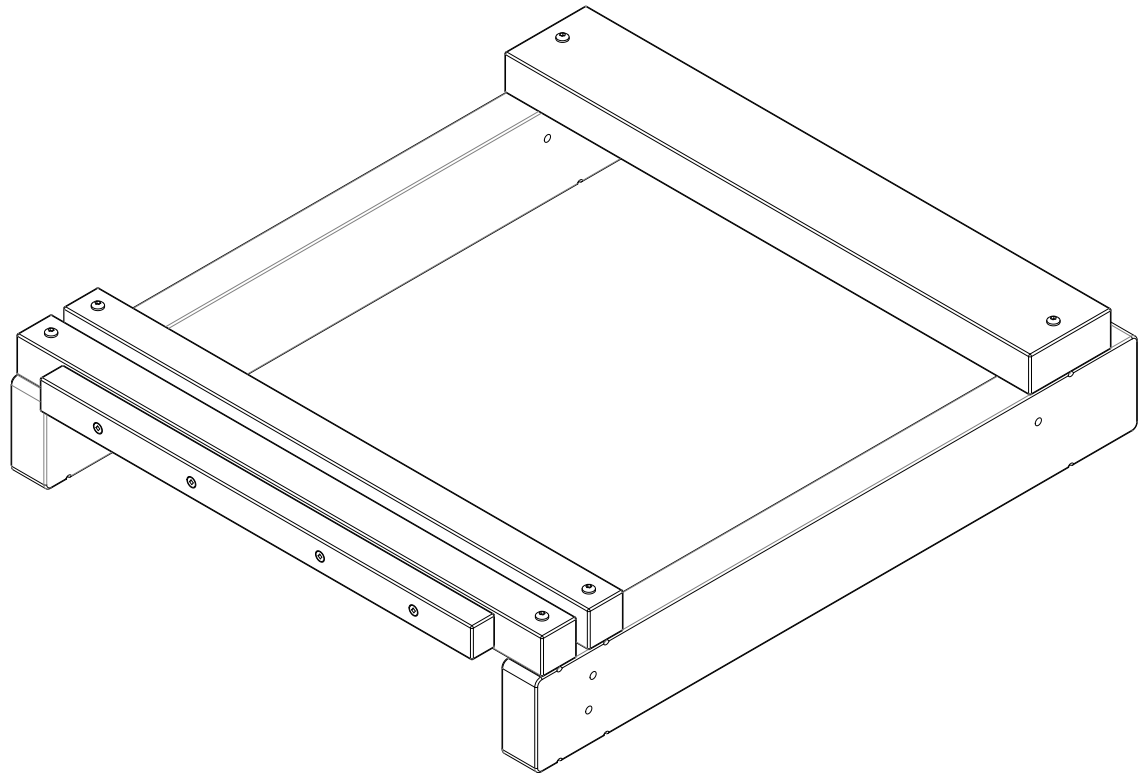
BODY BOX:

- (1) Top Roll-up
- (2) Outer Upright x 2
- (3) Body/Frame



ROCKER PARTS:

- (1R) Outer Rocker x 2



ROCKER ONLY PARTS

Note: Rocker legs have bolt holes at the bottom, not pictured above

