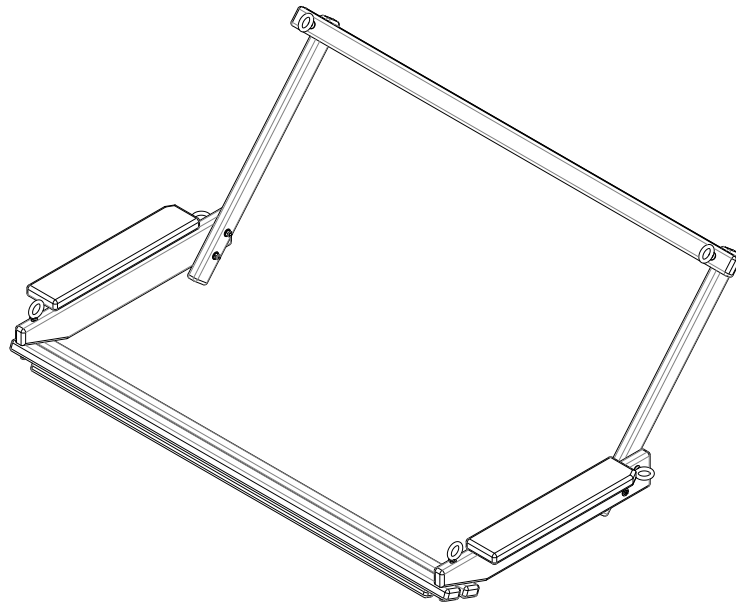
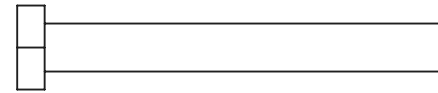


ORIGINAL CUMARU ROPE PORCH SWING INSTRUCTIONS

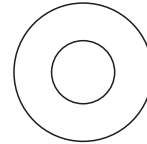


HARDWARE PACK

Hardware Pack Weight: 12.6 oz.



(2) 1.75" HEX BOLTS



(2) WASHERS

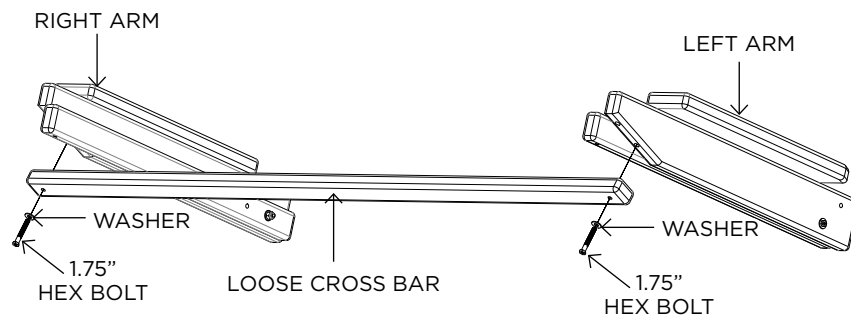
(2) CHAIN SETS

(Not pictured. Eye bolts, nuts and washers included on chain set.)

(2) TREE HOOKS

ASSEMBLY

STEP 1. Use (2) 1.75" hex bolts and (2) washers to attach left and right arm to loose cross bar.



CHAIR PARTS

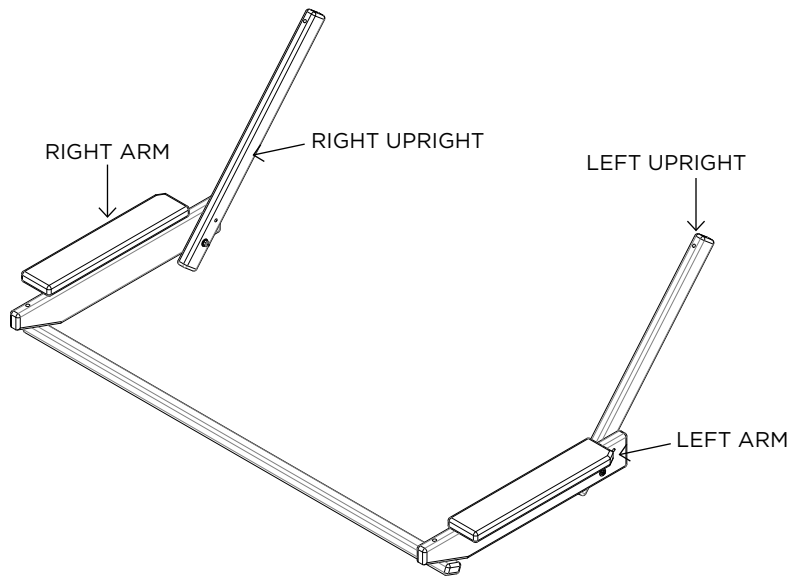
- LEFT ARM
- RIGHT ARM
- LOOSE CROSS BAR
- ROPE SEAT

SUGGESTED TOOLS

- MALLET
- 7/16" WRENCH
- 1/2" WRENCH

ASSEMBLY

STEP 2. Rotate the uprights and align the empty hole with the empty arm hole.



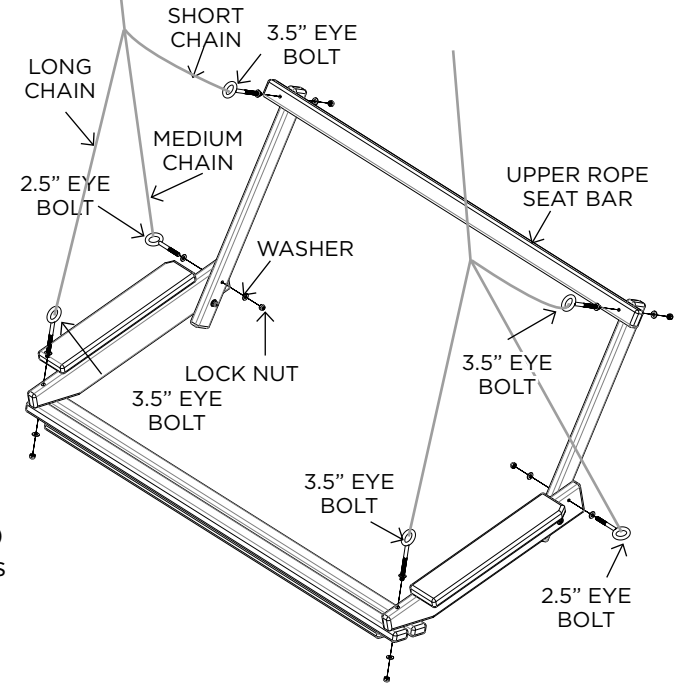
STEP 3.

Attach bottom of left and right verticals with 2.5" eye bolts. (Medium Chain)

Attach upper right and left verticals and top of swing with 3.5" eye bolts (Short Chain)

Attach lower swing with 3.5" eye bolts (Long Chain)

Chain sets include (3) eye bolts, (6) washers and (3) nuts. **(Rope not pictured.)**



Congratulations on purchasing this Original Cumaru Rope Porch Swing. QUESTIONS REGARDING THIS PRODUCT? Call our customer service team, 252-758-0641.

INSTALLATION - Install the ceiling hooks in the overhead support. The hooks should be approximately 4 feet apart. The supports can be ceiling joists, a sturdy limb, or a beam installed for the swing. A ready made stand is available, please inquire. If the ceiling joists are not exposed, locate one using a stud finder. They are usually 16 to 25 inches apart. Once you find a suitable support, drill a 3/16" starter hole to screw the ceiling hooks into and tighten until the shank is no longer visible. Do not adjust the chains as they are properly connected and able to withstand approximately 500 lbs. of weight. We have replacement chain sets available for sale if needed.

MAINTENANCE - Sunwax Penetrating Wood Feeder™ is recommended as an added protection for wood from insects and weather. It is ideal for cumaru, revitalizes the look of older wood and helps maintain wood's original hue. To clean rope use soap, detergent or a mild bleach solution. Use a soft bristled scrub brush to work on any stains. Be sure to rinse the ropes thoroughly after cleaning.

Thoroughly inspect product before each use. Periodically check bolts after assembly and re-tighten when necessary.

WARRANTY & RETURNS - Nags Head Hammocks products are guaranteed to be free of defects in both workmanship and material for up to one year from the date of purchase. Prolonged exposure to weather conditions including snow, rain, and humidity are not covered under the warranty, nor is damage caused by negligence, normal wear, mildew, or improper care, including storage, maintenance, and assembly. If you are not satisfied with an item, return it unused in its original packaging for a complete refund or exchange. You can return it to any of our stores or to our warehouse, Nags Head hammocks, 305 Industrial Blvd., Greenville, NC 27834. Note that an original sales receipt must accompany any returned product, along with a Return Authorization Number from Nags Head Hammocks customer service; call (252) 295-0405.

