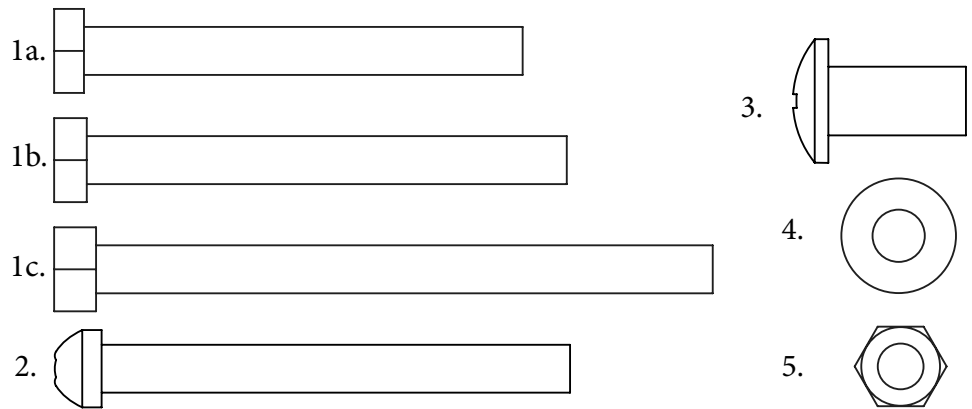


# ORIGINAL CUMARU DELUXE DOUBLE PORCH SWING INSTRUCTIONS

## HARDWARE PACK

Hardware Pack Weight: 1 lb 4.5 oz.



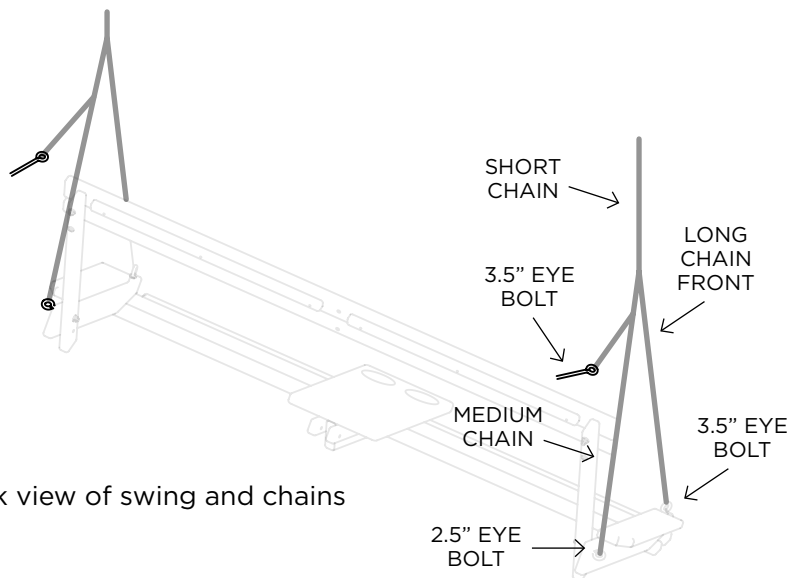
- |                                             |     |     |                                |
|---------------------------------------------|-----|-----|--------------------------------|
| 1a.                                         | 1b. | 1c. | 4. WASHERS: (12) 1/4"          |
| 1. HEX BOLTS: (4) 1.75"; (2) 2.5"; (2) 3.5" |     |     | 5. LOCK NUTS: (4) 1/4"         |
| 2. BARREL BOLTS: (4) 2.5"                   |     |     | 6. TREE HOOKS: (2) (not shown) |
| 3. BARREL NUTS: (4) 3/4"                    |     |     | 7. HEX KEY: (1) (not shown)    |

## CHAIN SET

- CHAIN SETS: (2)

NOTE: Not to scale.

Nuts and washers attached



Back view of swing and chains

## CHAIR PARTS

- |                        |                         |
|------------------------|-------------------------|
| • LEFT ARM             | • (2) OUTSIDE VERTICALS |
| • RIGHT ARM            | • MIDDLE VERTICAL       |
| • CENTER TABLE SUPPORT | • BOTTOM SUPPORT        |
| • TABLE                | • TOP SUPPORT           |

## SEAT ROLL-UP PARTS

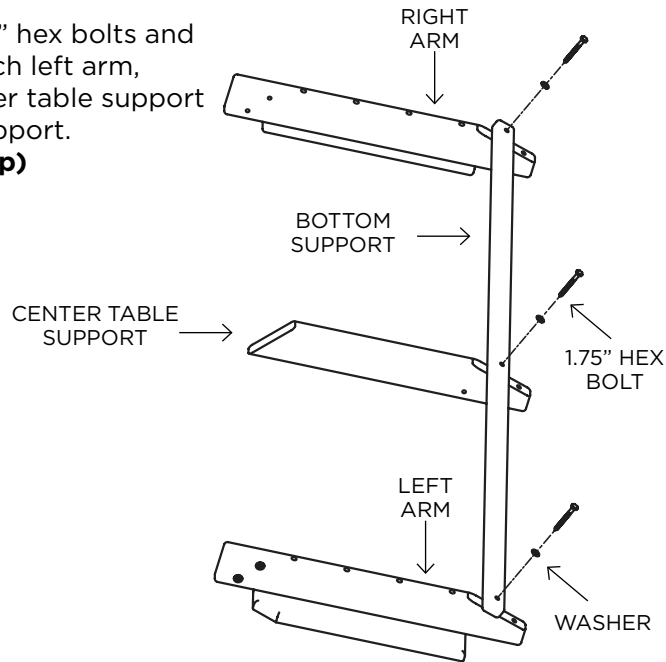
- BOTTOM ROPE SEAT SUPPORT
- TOP ROPE SEAT SUPPORT

## SUGGESTED TOOLS

- MALLET
- 7/16" WRENCH
- 1/2" WRENCH
- FLAT HEAD SCREWDRIVER

## ASSEMBLY

**STEP 1.** Use (3) 1.75" hex bolts and (3) washers to attach left arm, right arm, and center table support to loose bottom support. **(Not the seat roll-up)**



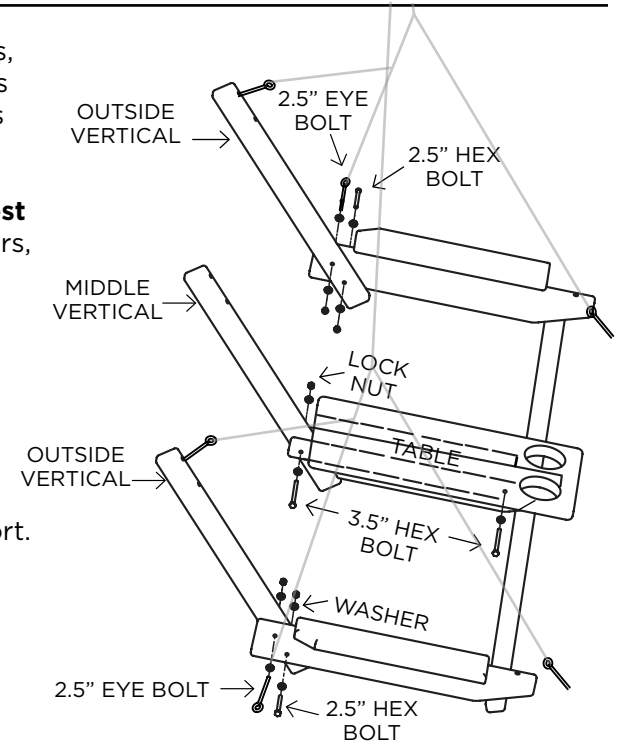
**STEP 2.** Use (2) 2.5" hex bolts, (4) washers, and (2) lock nuts to attach (2) outside verticals to left and right arms.

Use (2) 2.5" eye bolts (**shortest bolt on the chain**), (4) washers, and (2) lock nuts to finish attaching outside verticals using the remaining hole as shown.

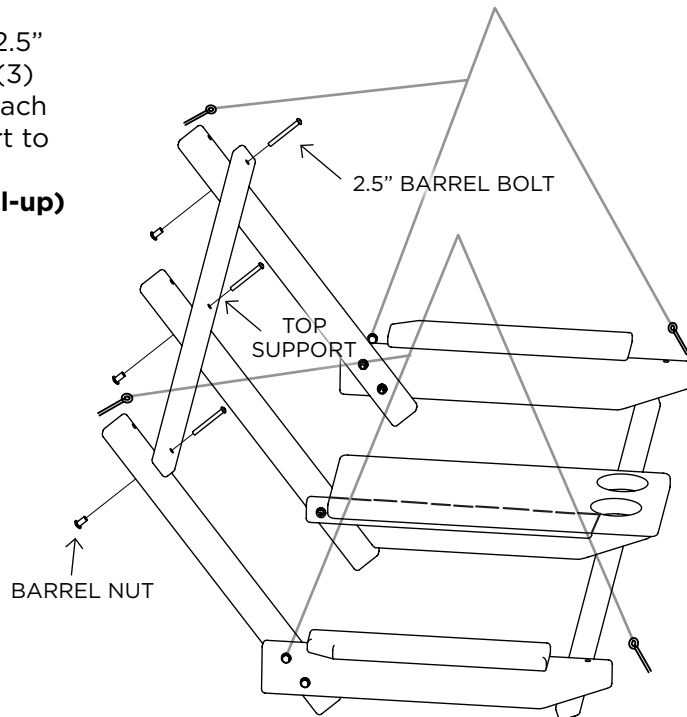
Use (2) 3.5" hex bolts, (4) washers, and (2) lock nuts to attach table and middle vertical to center table support.

**NOTE.** Do **not** tighten bolts until Step 4.

**Leave remaining eye bolts loose until step 5 as shown.**



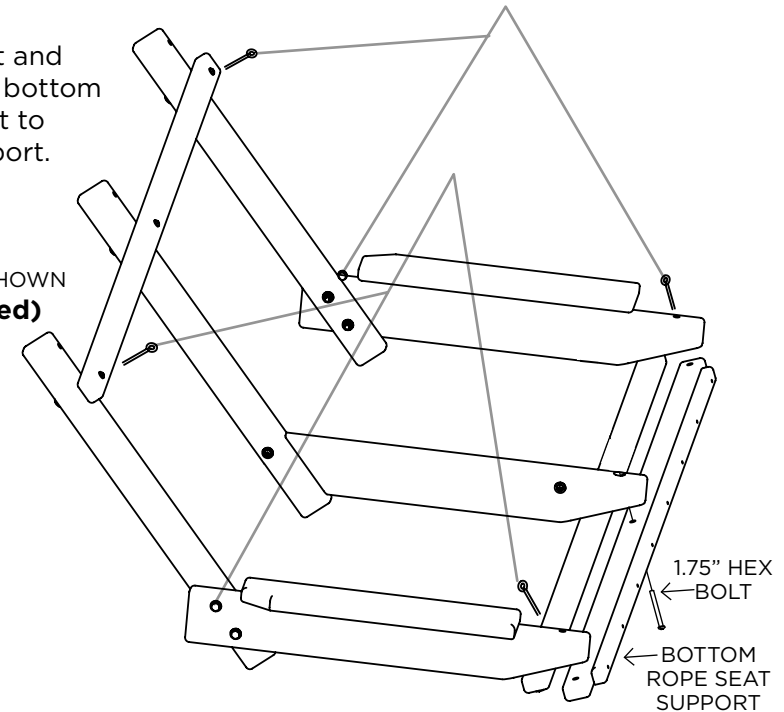
**STEP 3.** Use (3) 2.5" barrel bolts and (3) barrel nuts to attach loose top support to verticals. **(Not the seat roll-up)**



**STEP 4.**

Use 1.75" hex bolt and washer to attach bottom rope seat support to center table support. Tighten all bolts.

**NOTE: TABLE NOT SHOWN (Rope not pictured)**

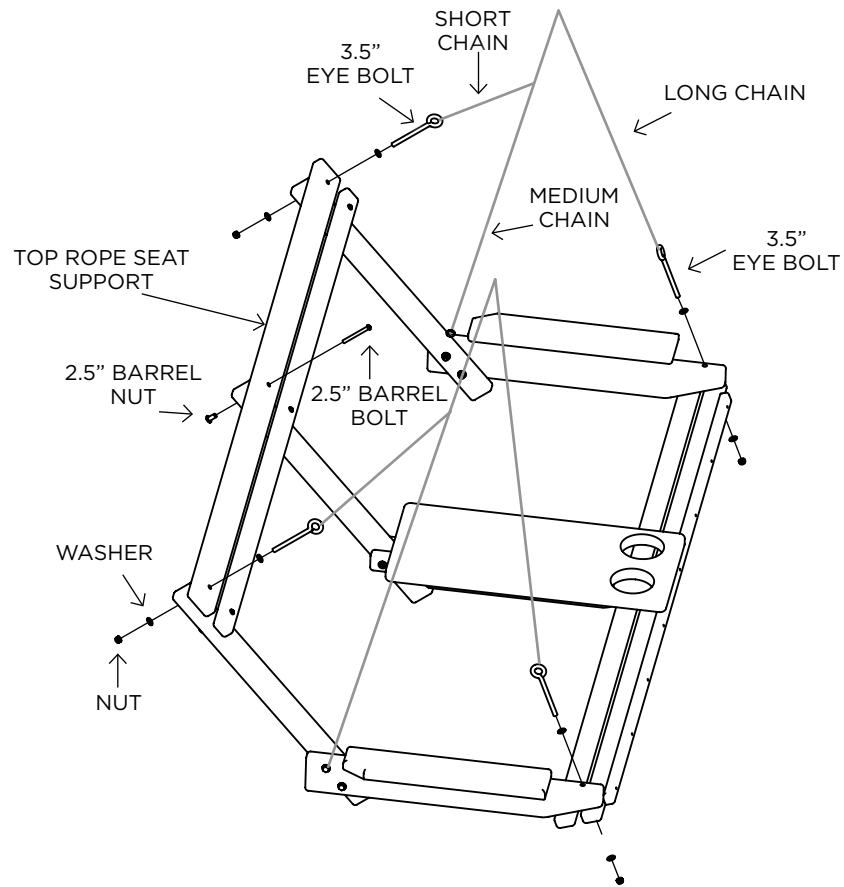


## ASSEMBLY

**STEP 5.** Use 2.5" barrel bolt and bolt nut to attach upper rope seat to outside and middle verticals.

Use (2) eye bolts, (4) washers, and (2) nuts to attach shorter end of chain set to upper seat support.

Use (2) eye bolts, (4) washers, and (2) nuts to attach longer end of chain set to left and right arms. **(Rope not pictured)**



**Congratulations on purchasing this Original Cumaru Rope Porch Swing. QUESTIONS REGARDING THIS PRODUCT? Call our customer service team, 252-295-0405.**

**INSTALLATION** - Install the ceiling hooks in the overhead support. The hooks should be approximately 5 feet apart. The supports can be ceiling joists, a sturdy limb, or a beam installed for the swing. A ready made stand is available, please inquire. If the ceiling joists are not exposed, locate one using a stud finder. They are usually 16 to 25 inches apart. Once you find a suitable support, drill a 3/16" starter hole to screw the ceiling hooks into and tighten until the shank is no longer visible. Do not adjust the chains as they are properly connected and able to withstand approximately 500 lbs. of weight. We have replacement chain sets available for sale if needed.

**MAINTENANCE** - Sunwax Penetrating Wood Feeder™ is recommended as an added protection for wood from insects and weather. It is ideal for cumaru, revitalizes the look of older wood and helps maintain wood's original hue. To clean rope use soap, detergent or a mild bleach solution. Use a soft bristled scrub brush to work on any stains. Be sure to rinse the ropes thoroughly after cleaning.

**Thoroughly inspect product before each use. Periodically check bolts after assembly and re-tighten when necessary.**

**WARRANTY & RETURNS** - Nags Head Hammocks products are guaranteed to be free of defects in both workmanship and material for up to one year from the date of purchase. Prolonged exposure to weather conditions including snow, rain, and humidity are not covered under the warranty, nor is damage caused by negligence, normal wear, mildew, or improper care, including storage, maintenance, and assembly. If you are not satisfied with an item, return it unused in its original packaging for a complete refund or exchange. You can return it to any of our stores or to our warehouse, Nags Head hammocks, 305 Industrial Blvd., Greenville, NC 27834. Note that an original sales receipt must accompany any returned product, along with a Return Authorization Number from Nags Head Hammocks customer service; call (252) 295-0405.

