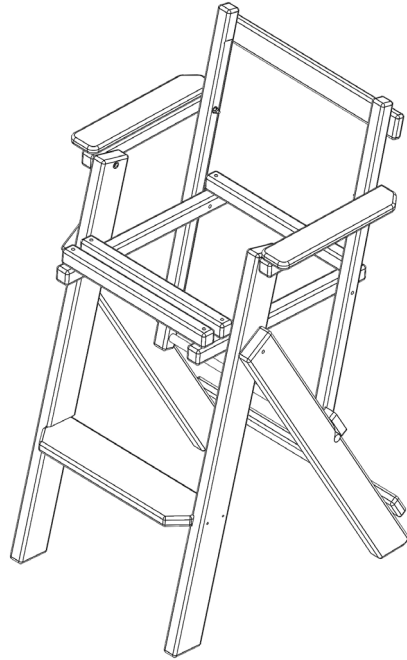
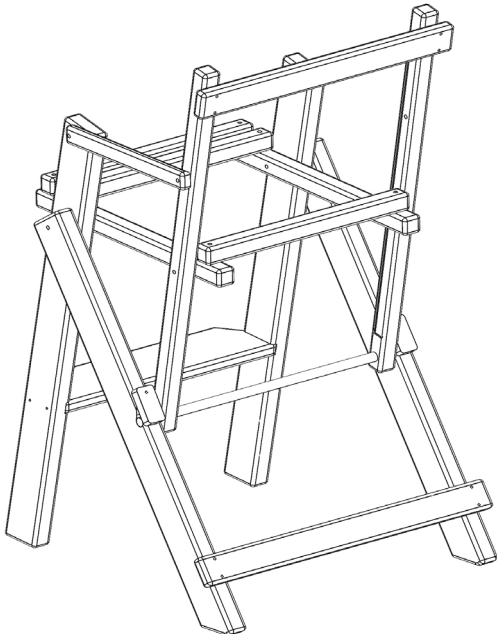


CUMARU BAR STOOL INSTRUCTIONS



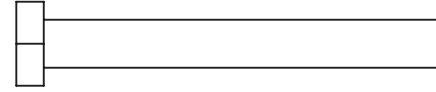
ASSEMBLY

STEP 1. Open Bar Stool and lock the Back Rod into slots on back legs by securing the Locking Tabs.

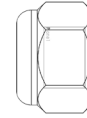


HARDWARE PACK

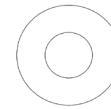
Hardware Pack Weight: 3.5 oz.



(4) 2.5" HEX BOLTS



(4) LOCK NUTS



(8) WASHERS

CHAIR PARTS

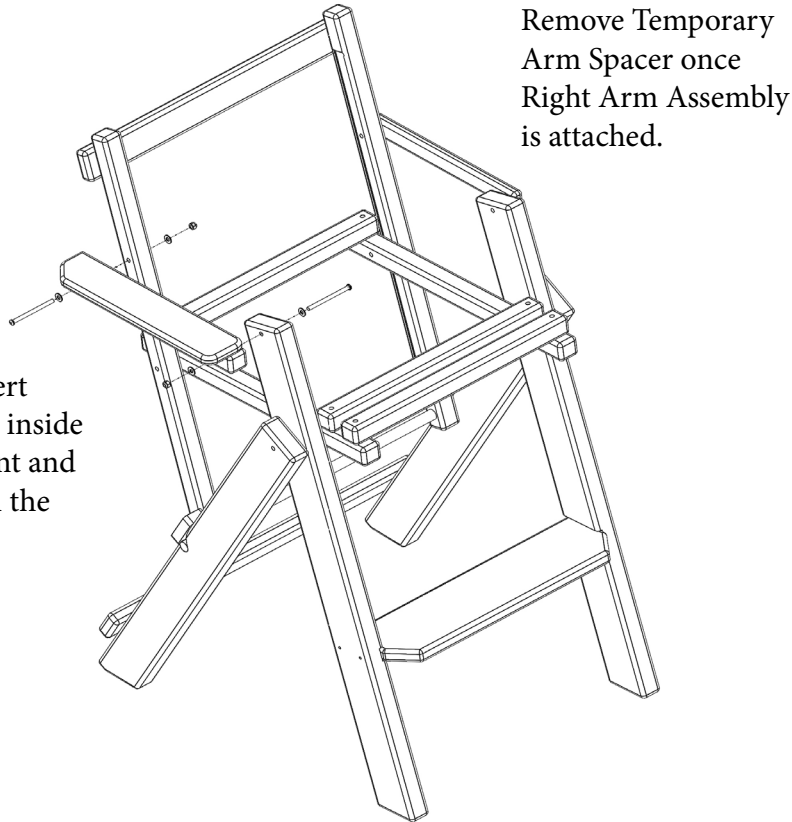
- BAR STOOL FRAME
- LEFT ARM ASSEMBLY
- RIGHT ARM ASSEMBLY

SUGGESTED TOOLS

- 2x 7/16" WRENCHES OR SOCKETS

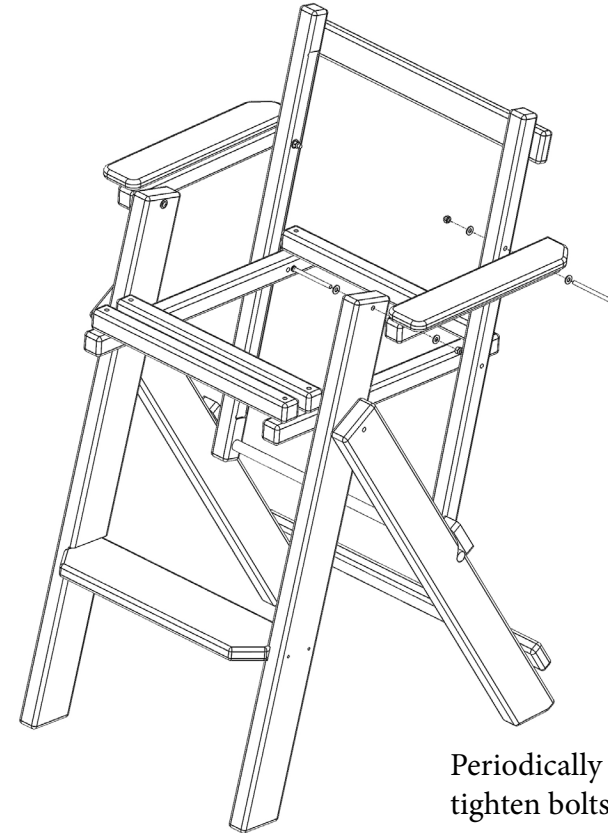
ASSEMBLY

STEP 2. Use (2) 2.5" Hex Bolts, (2) Lock-nuts, and (4) Washers to attach Right Arm Assembly to Bar Stool Frame.
Keep all Bolts loose until Step 3.



Note: Insert Bolt from inside in the front and outside in the back.

STEP 3. Use (2) 2.5" Hex Bolts, (2) Lock-nuts, and (4) Washers to attach Left Arm Assembly to Bar Stool Frame.
Tighten all bolts (to include existing bolts).



Periodically check and tighten bolts.

Congratulations on purchasing this Cumaru Bar Stool Chair. QUESTIONS REGARDING THIS PRODUCT? Call our customer service team, 252-295-0405.

MAINTENANCE - Sunwax Penetrating Wood Feeder™ is recommended as an added protection for wood from insects and weather. It is ideal for cumaru, revitalizes the look of older wood and helps maintain wood's original hue. To clean rope use soap, detergent or a mild bleach solution. Use a soft bristled scrub brush to work on any stains. Be sure to rinse the ropes thoroughly after cleaning.

Thoroughly inspect product before each use. Periodically check bolts after assembly and re-tighten when necessary.

WARRANTY & RETURNS - Nags Head Hammocks products are guaranteed to be free of defects in both workmanship and material for up to one year from the date of purchase. Prolonged exposure to weather conditions including snow, rain, and humidity are not covered under the warranty, nor is damage caused by negligence, normal wear, mildew, or improper care, including storage, maintenance, and assembly. If you are not satisfied with an item, return it unused in its original packaging for a complete refund or exchange. You can return it to any of our stores or to our warehouse, Nags Head hammocks, 305 Industrial Blvd., Greenville, NC 27834. Note that an original sales receipt must accompany any returned product, along with a Return Authorization Number from Nags Head Hammocks customer service; call (252) 295-0405.

