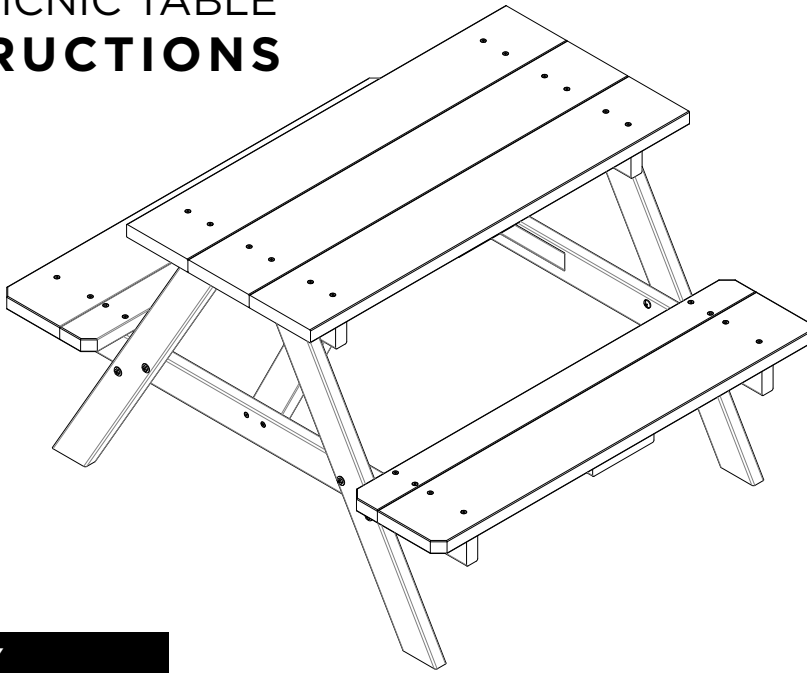
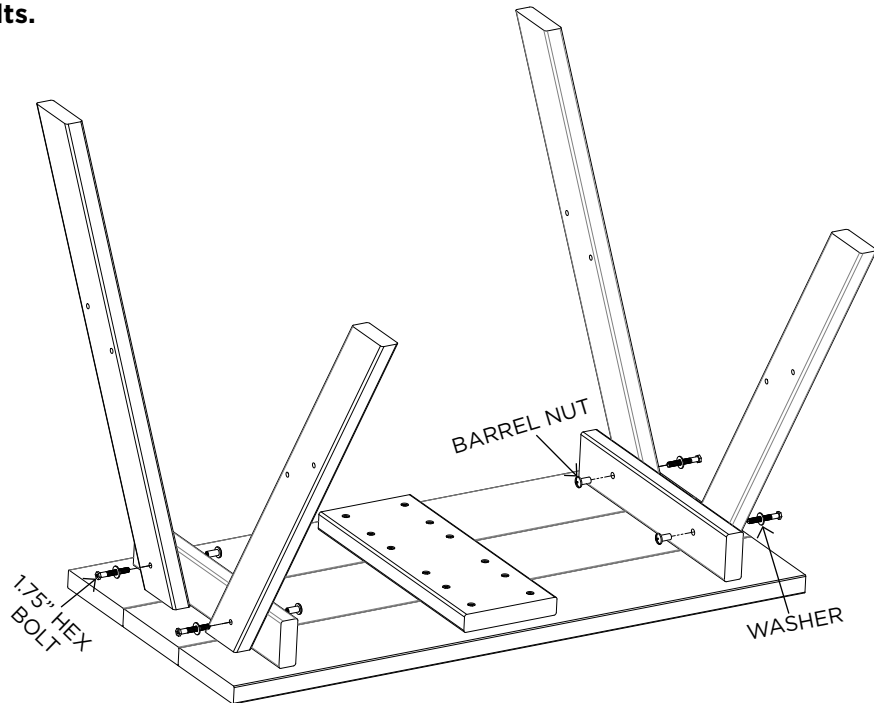


KID'S PICNIC TABLE INSTRUCTIONS



ASSEMBLY

STEP 1. Flip Table Top over. Align the legs with the support braces on the table top. Using (4) 1.75" Hex Bolts insert the bolt through a washer, through the material as shown then secure using (1) Barrel Nut. **Tighten all bolts.**



HARDWARE PACK

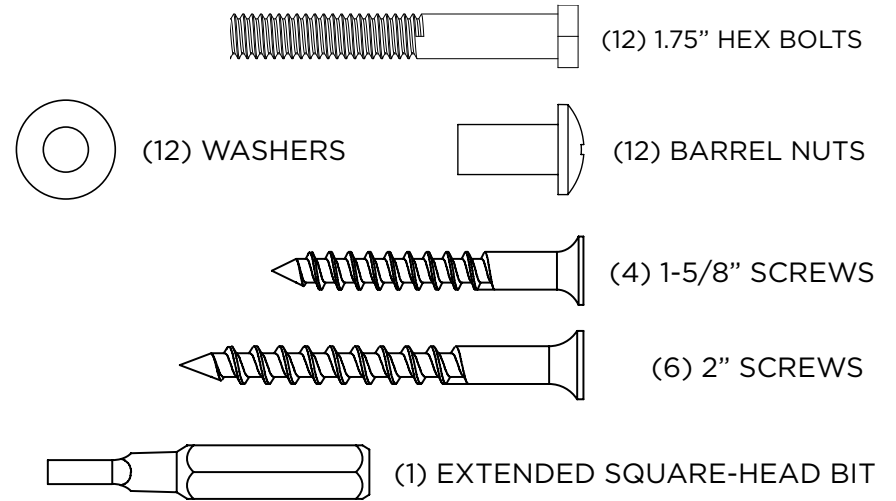


TABLE PARTS

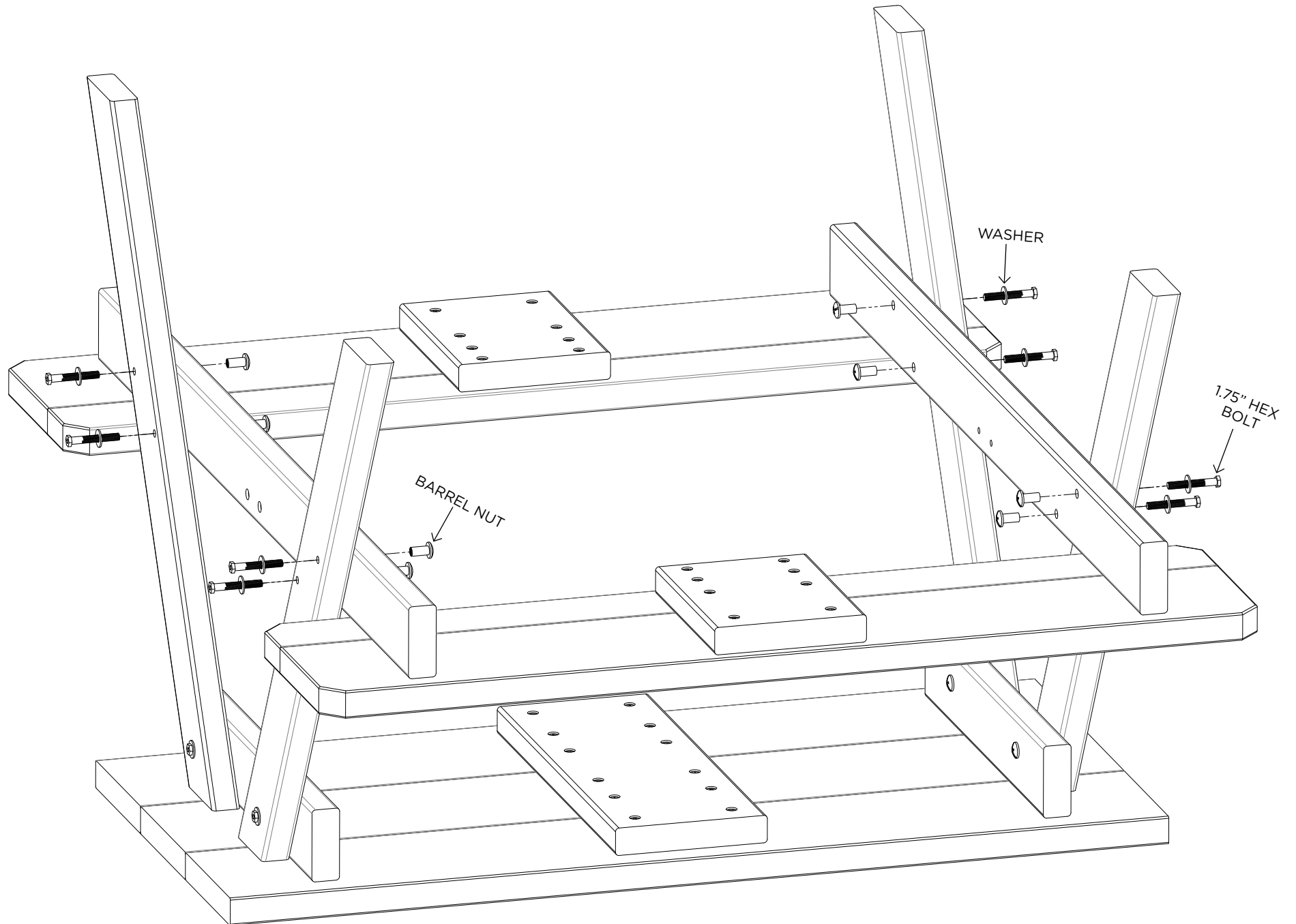
- (1) TABLE TOP
- (4) LEGS
- (1) SEAT ASSEMBLY
- (2) ANGLED BRACES

SUGGESTED TOOLS

- PHILLIPS HEAD SCREWDRIVER
- DRILL

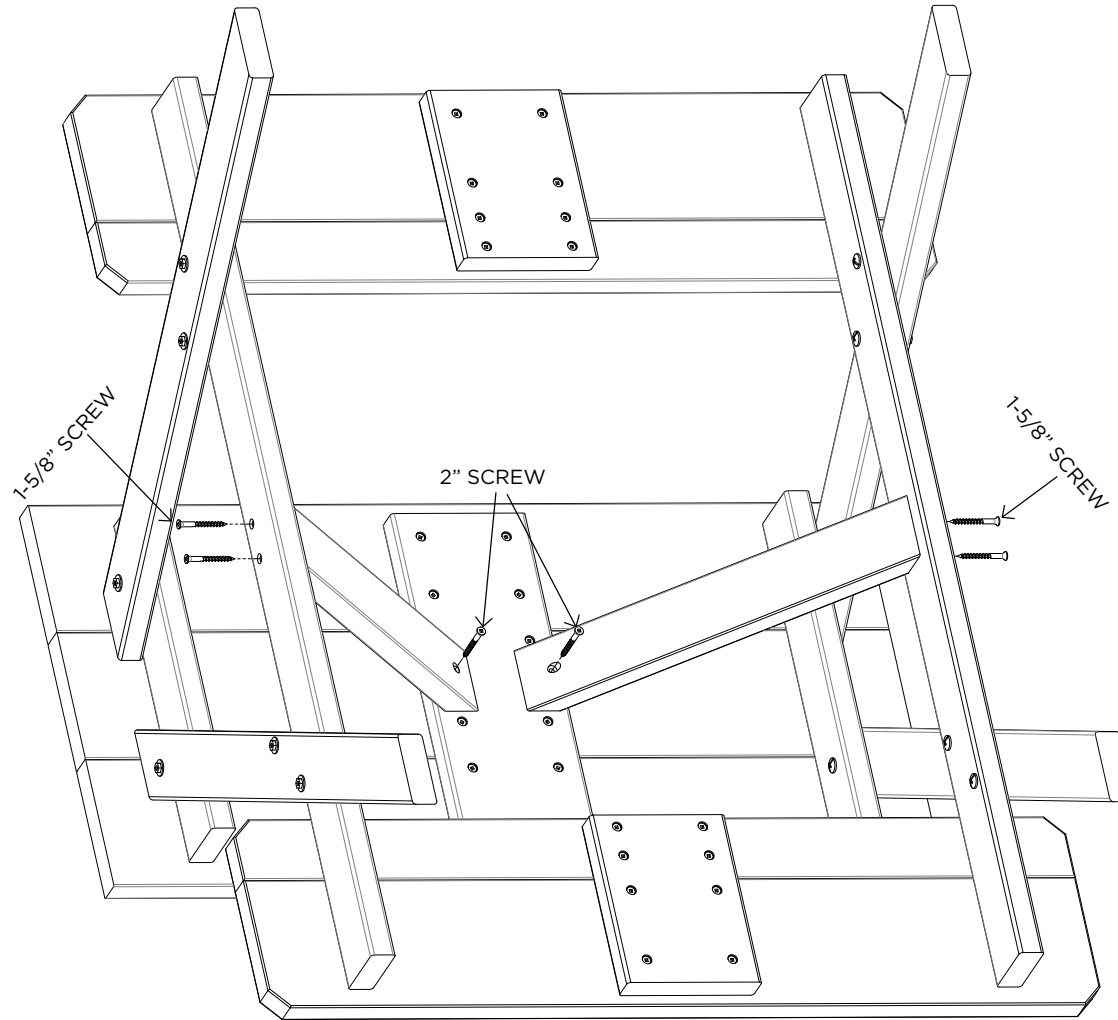
ASSEMBLY

STEP 2. Position the seat assembly as shown. Using (8) 1.75" Hex Bolts thread the bolt through (1) washer, through the material and fasten with (1) Barrel Nut. Do this on the outer leg holes first doing one hole at a time. **Ensure all bolts are fastened tightly.**



ASSEMBLY

STEP 3. Using the (2) angled braces, position them one at a time as shown keeping the pilot hole towards the bottom of the table top. Then using (2) 2" screws and (4) 1-5/8" screws fasten the angled braces to the table top then the seat assembly. Repeat for the other brace. Make sure all bolts and screws are fully tightened, with 1-2 people flip the table upright and enjoy!



Congratulations on purchasing this Kid's Picnic Table. QUESTIONS REGARDING THIS PRODUCT? Call our customer service team, 252-758-0641.

RESIDENTIAL WARRANTY - This quality product includes a LIMITED LIFETIME WARRANTY for RESIDENTIAL CUSTOMERS. In the unlikely event any splintering, rotting, cracking, peeling, or chipping should ever occur, The Hammock Source will supply replacement parts or replace the furniture, at no charge to you. This does not include negligence, improper use, animal damage or damage caused by natural disasters. When using around fire, keep furniture at a minimum distance of 30 inches from the heat source. Prevent prolonged exposure to chlorinated water. Note that an original sales receipt must accompany any returned product, along with a Return Authorization Number from Hammock Source customer service; call toll-free at 252-758-0641.

CONTRACTOR WARRANTY - CONTRACTORS receive a LIMITED 7-YEAR WARRANTY. Follow the same steps outlined above.

MAINTENANCE - Thoroughly inspect product before each use. Periodically check bolts after assembly and re-tighten when necessary.

