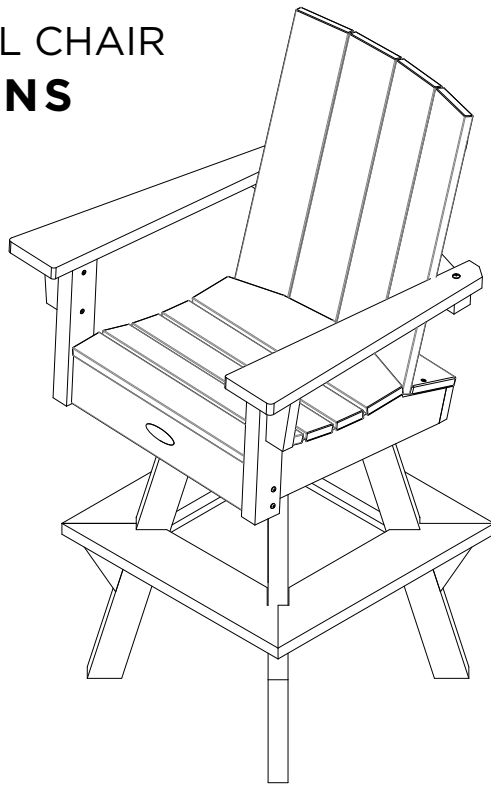
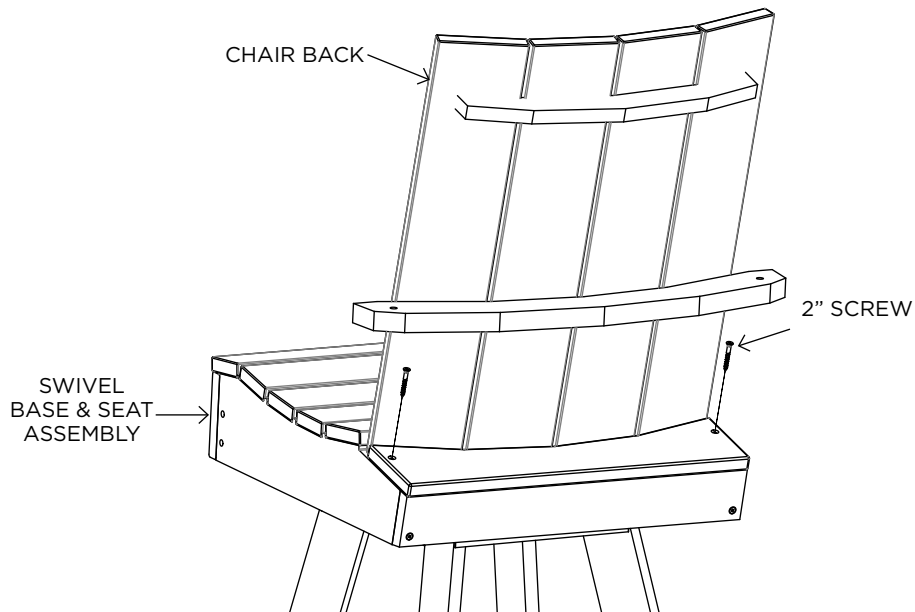


MODERN SWIVEL CHAIR INSTRUCTIONS



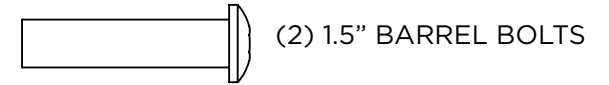
ASSEMBLY

STEP 1. Attach Chair Back to Swivel Base & Seat Assembly using (2) 2" screws.

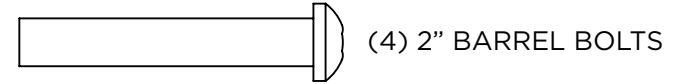


HARDWARE PACK

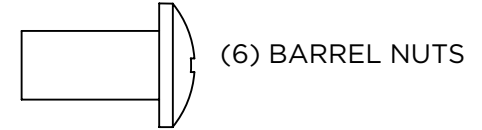
Hardware Pack Weight: 4.6 oz.



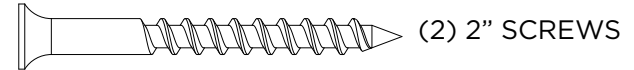
(2) 1.5" BARREL BOLTS



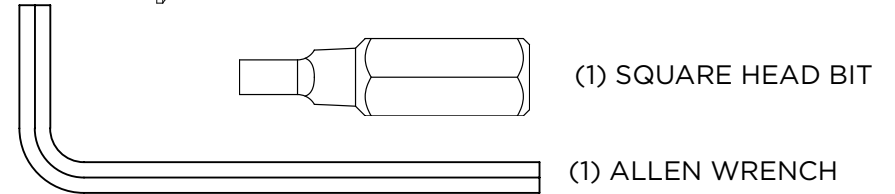
(4) 2" BARREL BOLTS



(6) BARREL NUTS



(2) 2" SCREWS



(1) SQUARE HEAD BIT

(1) ALLEN WRENCH

CHAIR PARTS

- SWIVEL BASE & SEAT ASSEMBLY
- CHAIR BACK
- CHAIR LEFT ARM
- CHAIR RIGHT ARM

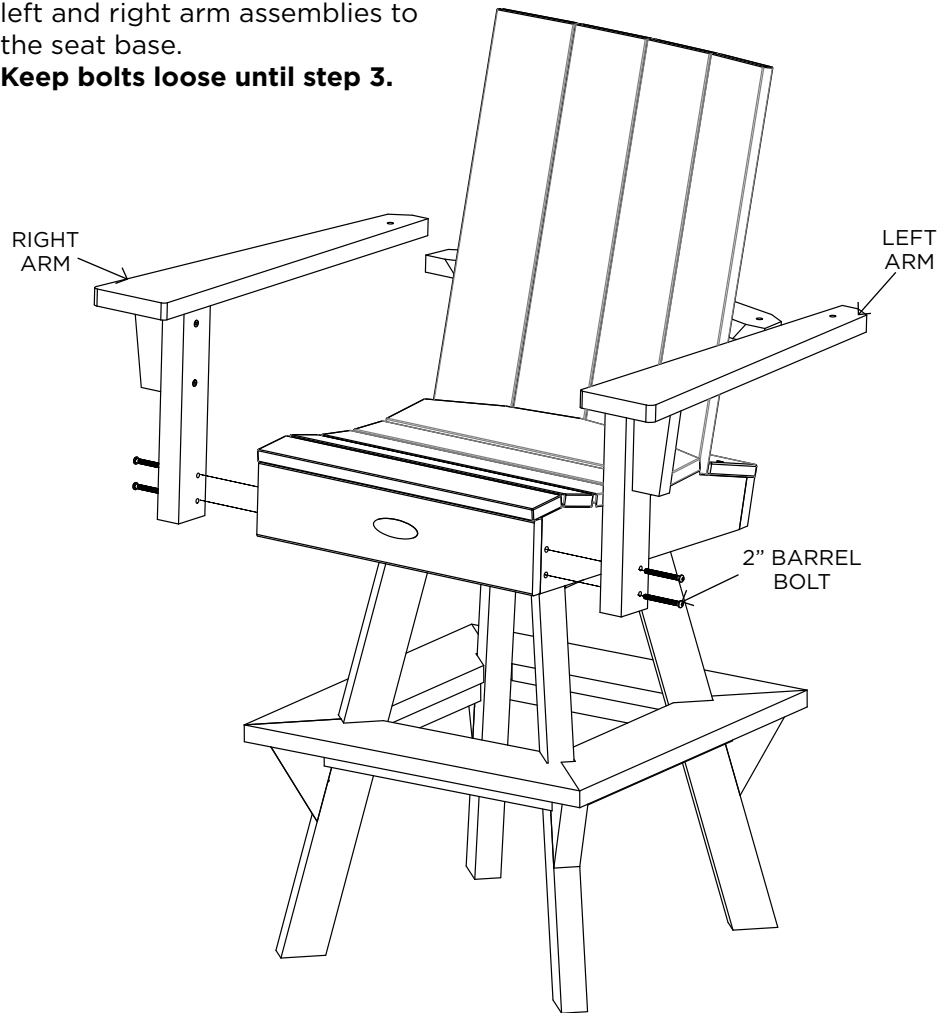
SUGGESTED TOOLS

- PHILLIPS HEAD SCREWDRIVER

ASSEMBLY

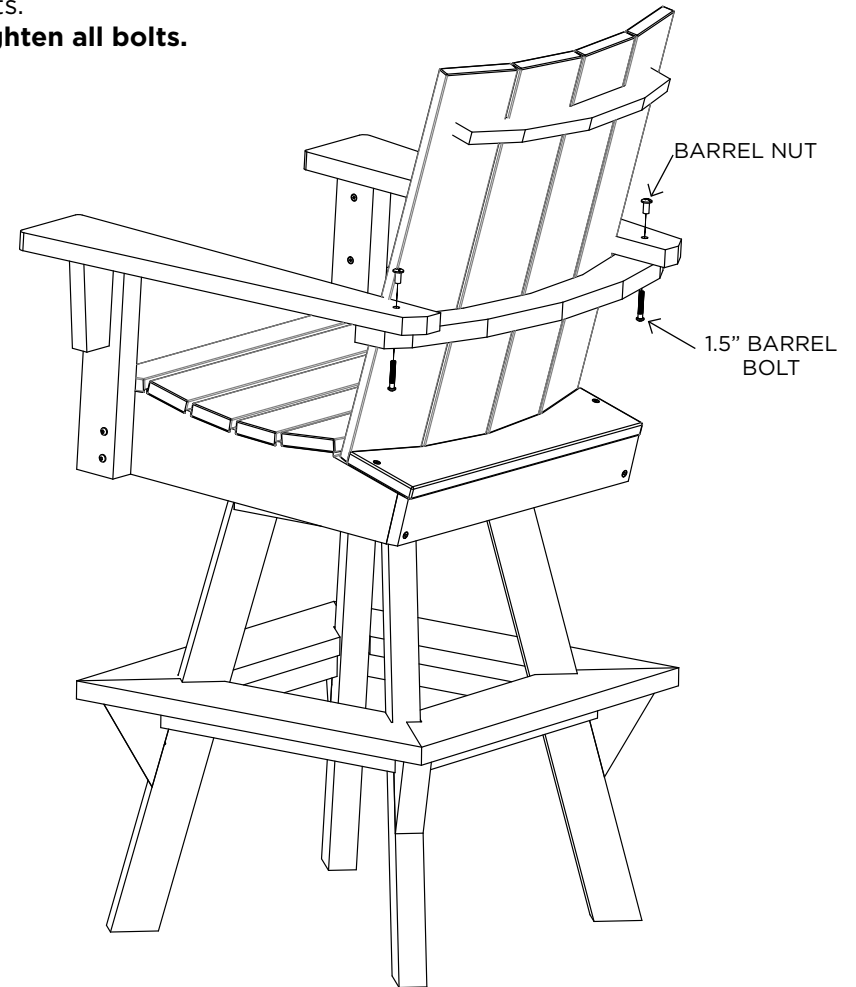
STEP 2. Use (4) 2" barrel bolts and barrel nuts to attach The left and right arm assemblies to the seat base.

Keep bolts loose until step 3.



STEP 3. Attach arms to chair back using (2) 1.5" barrel bolts and barrel nuts.

Tighten all bolts.



Congratulations on purchasing this Modern Swivel Chair. QUESTIONS REGARDING THIS PRODUCT? Call our customer service team, 252-758-0641.

RESIDENTIAL WARRANTY - This quality product includes a LIMITED LIFETIME WARRANTY for RESIDENTIAL CUSTOMERS. In the unlikely event any splintering, rotting, cracking, peeling, or chipping should ever occur, The Hammock Source will supply replacement parts or replace the furniture, at no charge to you. This does not include negligence, improper use, animal damage or damage caused by natural disasters. When using around fire, keep furniture at a minimum distance of 30 inches from the heat source. Prevent prolonged exposure to chlorinated water. Note that an original sales receipt must accompany any returned product, along with a Return Authorization Number from Hammock Source customer service; call toll-free at 252-758-0641.

CONTRACTOR WARRANTY - CONTRACTORS receive a LIMITED 7-YEAR WARRANTY. Follow the same steps outlined above.

MAINTENANCE - Thoroughly inspect product before each use. Periodically check bolts after assembly and re-tighten when necessary.

