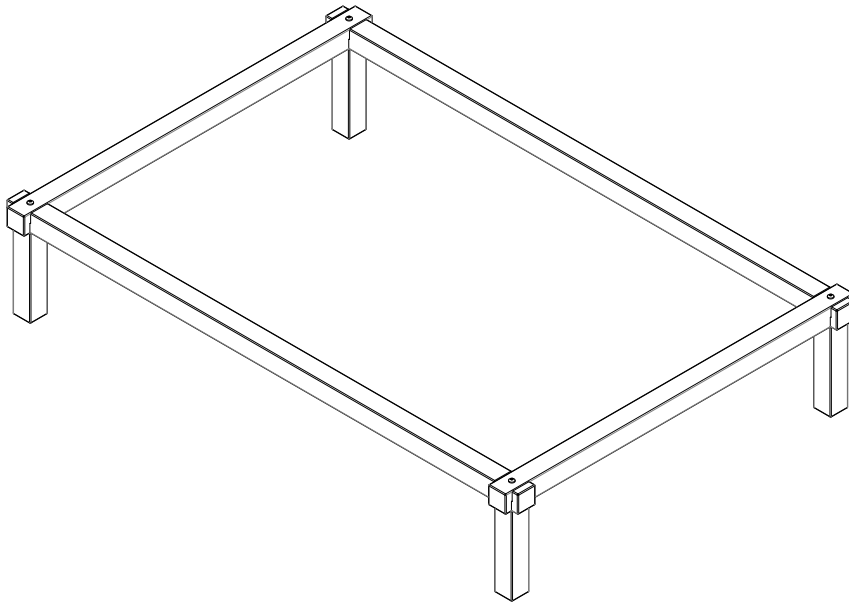
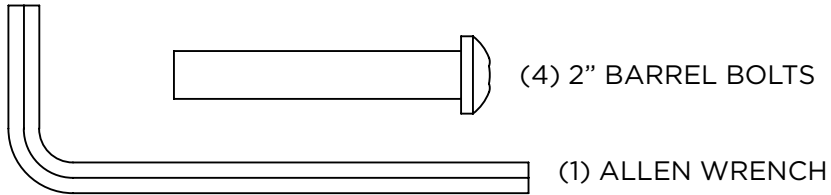


DOG BED

INSTRUCTIONS



HARDWARE PACK

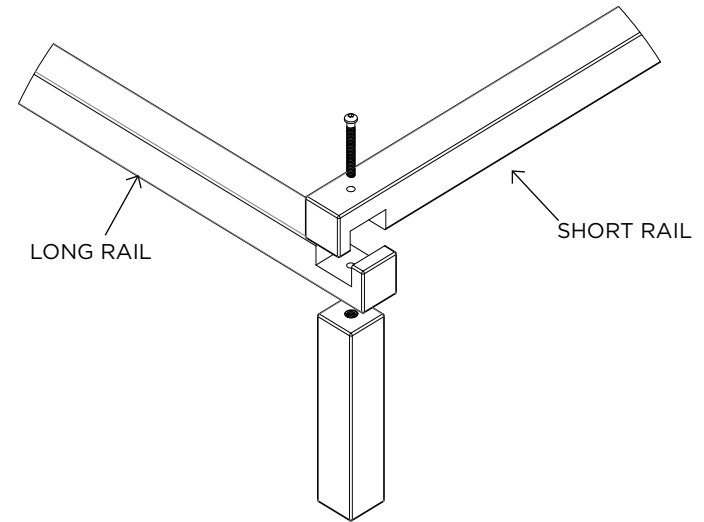


CHAIR PARTS

- (2) LONG RAIL (In Sleeve)
- (2) SHORT RAIL (Loose in package)
- (4) LEGS

ASSEMBLY

STEP 1: Insert loose rails through empty pockets in fabric, then position rails as shown with metal frame facing down. Use 2" Barrel Bolt and Allen wrench to attach leg, **make sure leg is square to frame, do not fully tighten until all bolts are in.**



Congratulations on purchasing this Dog Bed. QUESTIONS REGARDING THIS PRODUCT? Call our customer service team, 1-888-235-9763.

WARRANTY & RETURNS - Products from our **Pawley's Island Pet Collection** are guaranteed free of defects in workmanship and materials for up to one year from the date of purchase. An original sales receipt must accompany any returned product, along with a Return Authorization Number from Pawley's Island Hammocks; call (252) 758-0641.

Maintenance - Periodically check bolts after assembly and re-tighten when necessary.

